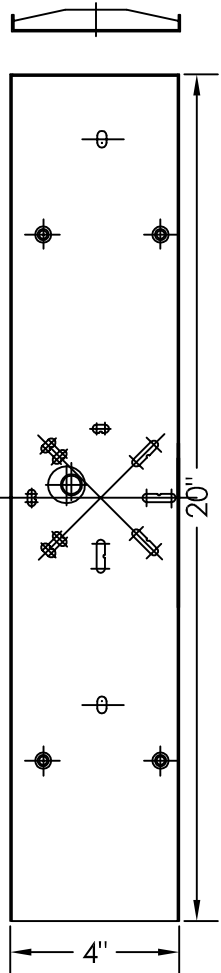
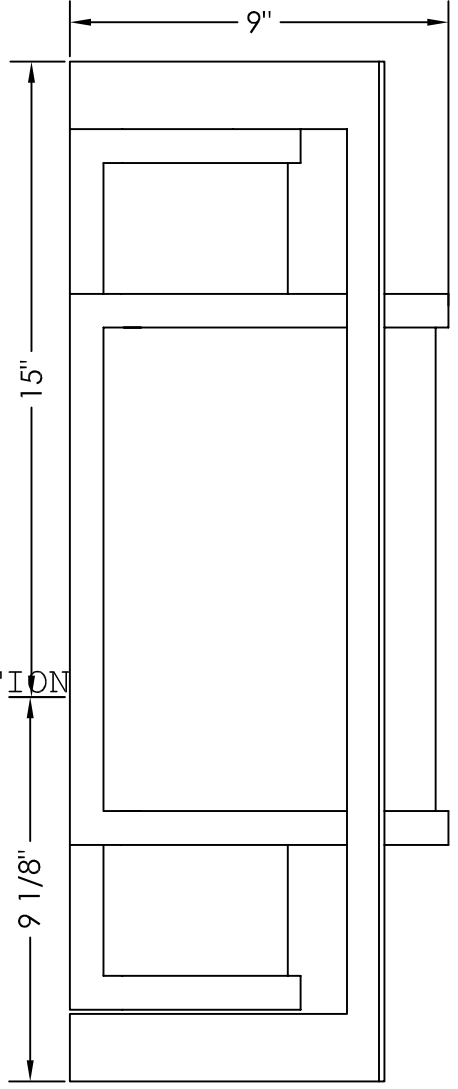
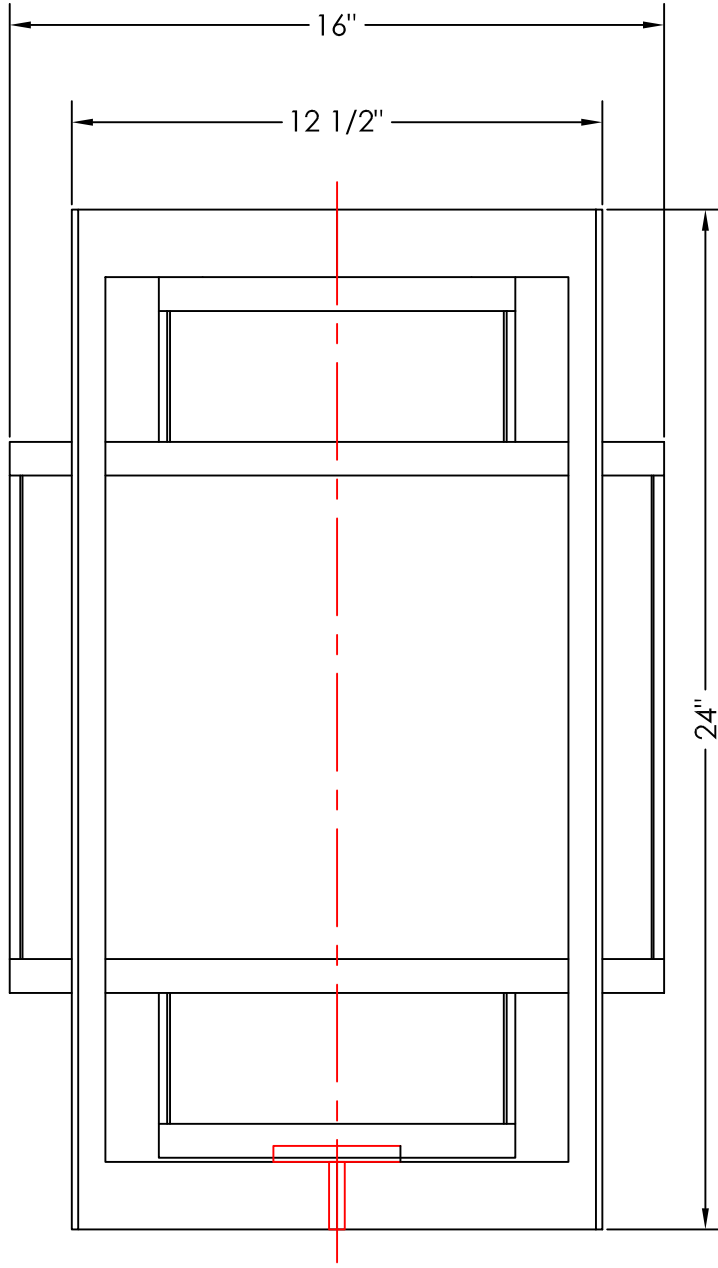


# CUSTOMER REFERENCE INSTRUCTIONS

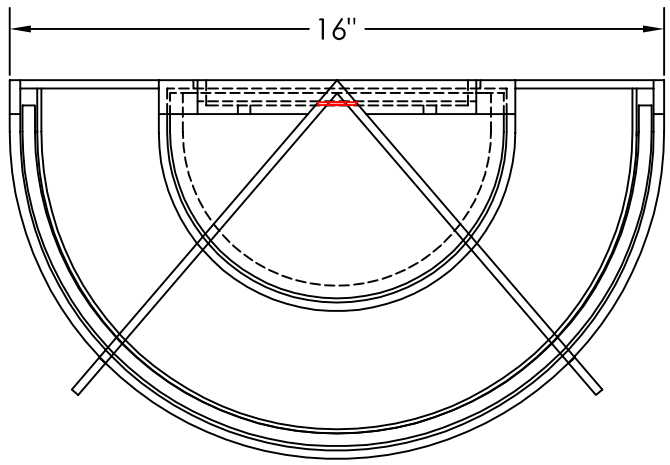
REV.	ECN # IF APPLIC.	REVISION DESCRIPTION	REQD. BY	DRAFTER	DATE
1	NA	ORIGINAL RELEASED VERSION	NA	HBD	5/24/13



BACKPLATE



JUNCTION BOX



This drawing and specifications are the exclusive property of BLUMBERG INDUSTRIES, INC. issued in strict confidence and shall not, without the prior written permission of BLUMBERG INDUSTRIES, INC., be produced, copied or used for any purpose whatsoever except the manufacture articles for FINE ART LAMPS.

5770-5772 Miami Lakes Dr. East / Miami Lakes, FL 33014  
Ph: (305) 821-3850 FAX: (305) 821-1564

STYLE NUMBER: 818281ST

PART NUMBER:

ASSY. INSTRUCTION TEMPLATE	DRAFTER: HBD	STYLE ENGINEER: MC	DATE: 5/24/13	REVISION: 1	SHEET: 1 / 1
----------------------------	--------------	--------------------	---------------	-------------	--------------