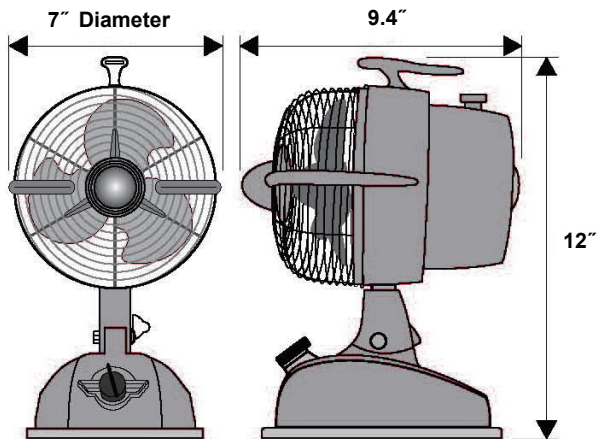


URBANJET™

FP7958** Desktop/Table Fan



Available Finishes	
BB	Baby Blue with black blades
RG	Rose Gold with black blades
MB	Mysterious Black with black blades
MI	Milky ivory with black blades
SR	Spicy Red with Black blades
SS	Sonic Silver with Black blades

ELECTRICAL REQUIREMENTS:

Requires a grounded electrical supply line of 120 volts AC, 60 Hz, 15 amp circuit.

MOTOR SPECS:

76 x 66 motor is designed for optimal performance with this fan.

CONTROL / SPEED:

Features a 4-position rotary switch control (high, medium, low and off).
High—3,002 rpm; Med—2,805 rpm; Low—2,456 rpm

FEATURES:

- Includes 5.5 ft power cord
- Oscillation movement
- 50° blade pitch
- Weights 5.07 lbs
- Ships fully assembled

LOCATION USE:

Fan is rated for dry locations only.