

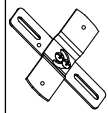
# ASSEMBLY AND INSTALLATION INSTRUCTIONS

W0284

**WARNING:** TO AVOID RISK OF ELECTRICAL SHOCK, BE SURE TO SHUT OFF POWER BEFORE INSTALLING OR SERVICING THIS FIXTURE.

**NOTES:** 1. Before installing, consult local electrical codes for wiring and grounding requirements.  
2. READ AND SAVE THESE INSTRUCTIONS.

## Hardware Package (included):



Cross Bar (A)



Mounting Screw (B)



Green Grounding Screw (C)



Headless Screw (D)



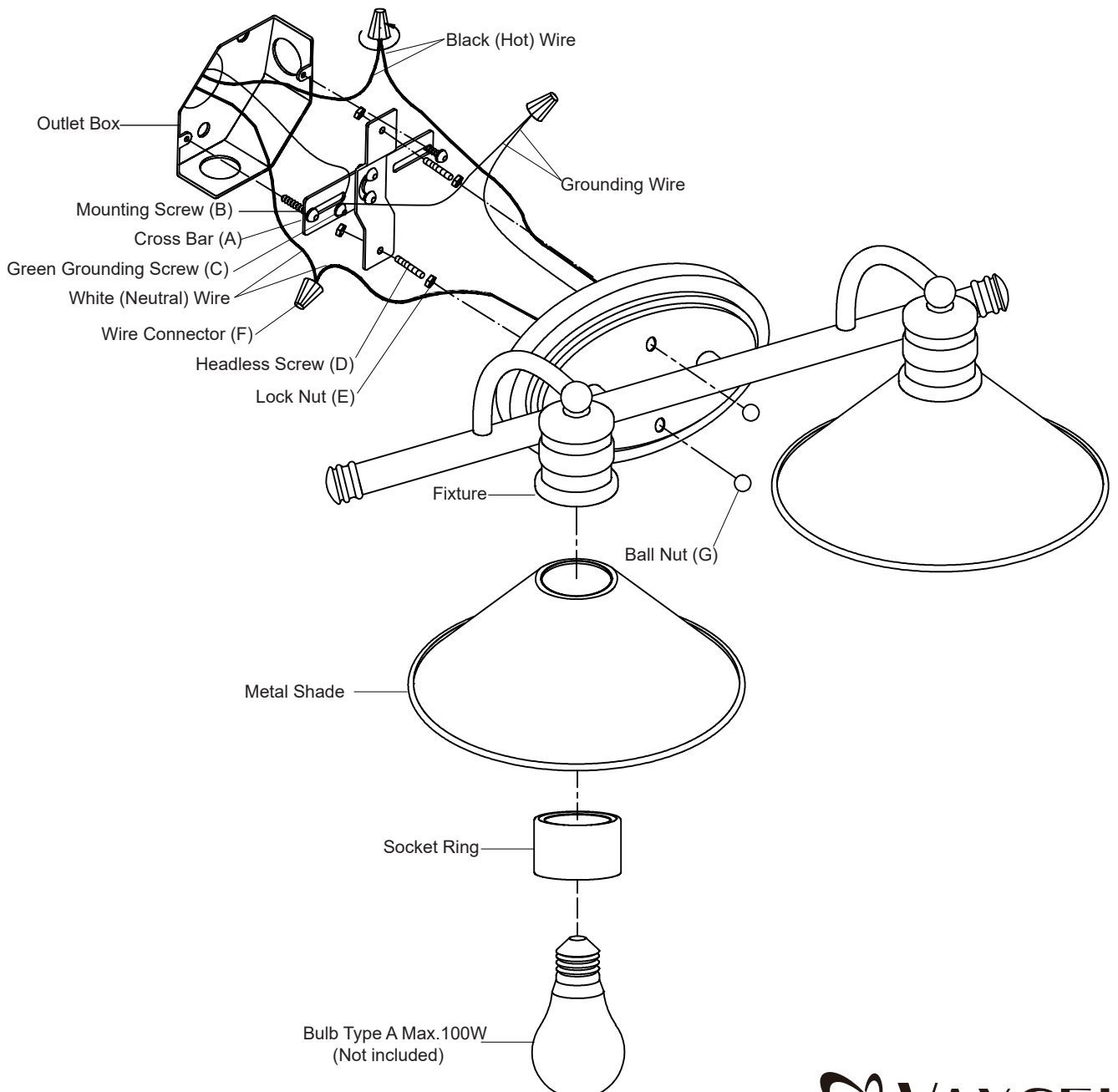
Lock Nut (E)



Wire Connector (F)



Ball Nut (G)



## Installation Steps

### Turn off the power at fuse or circuit box

1. Thread two headless screws through the cross bar, then secure them with four lock nuts (two on each side of the cross bar). Adjust the length of the headless screws if necessary.  
Note: Make sure that headless screws are lined up horizontally, in order to ensure that the fixture will be level.
2. Attach the cross bar to the outlet box by using two mounting screws.
3. Pull out the source wires from the outlet box. Make wire connections using wire connectors as follows:
  - Connect the hot wire (black insulation) from the fixture to the black wires from the power source.
  - Connect the neutral wire (white insulation) from the fixture to the white wires from the power source.
  - Attach the fixture grounding wire (green insulation or bare wire) to the cross bar with the green grounding screw, and then connect it to the house grounding wire with the wire connector.Carefully put the wires back into the outlet box.
4. Attach the back plate to the cross bar by inserting the headless screw, then secure it with the two ball nuts.
5. Attach the metal shade onto the fixture and tighten it with the socket ring.
6. Install 2X100W Max medium base bulbs (not included).

### Turn on the power at fuse or circuit box

The following parts are available for re-order if damaged or missing.

#### Spare Parts List:

