

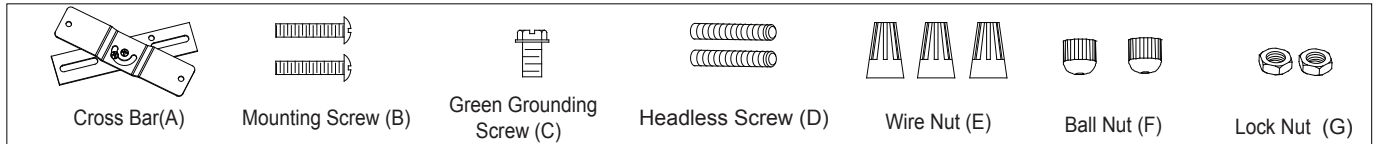
ASSEMBLY AND INSTALLATION INSTRUCTIONS

T0109

WARNING: Turn off the main power at circuit breaker before installing fixture.
AVERTISSEMENT: Coupez la source d'alimentation principale au panneau central de disjoncteurs avant d'installer le luminaire.

NOTES: 1. Before installing, consult local electrical codes for wiring and grounding requirements.
2. READ AND SAVE THESE INSTRUCTIONS.

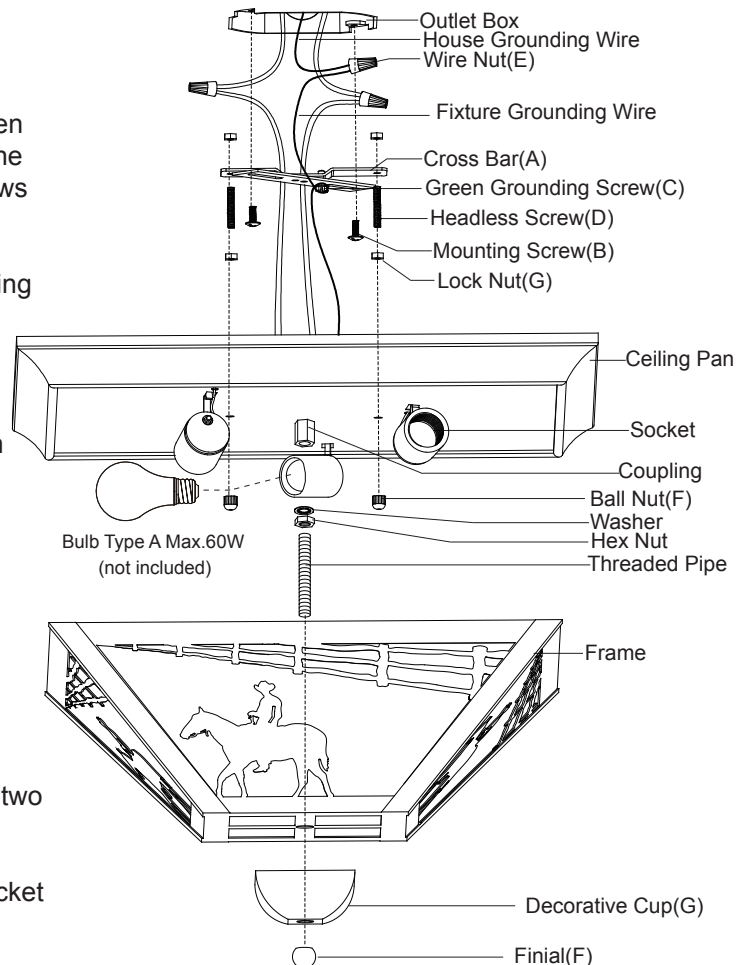
Hardware Package (included):



Installation Steps

Turn off the power at fuse or circuit box.

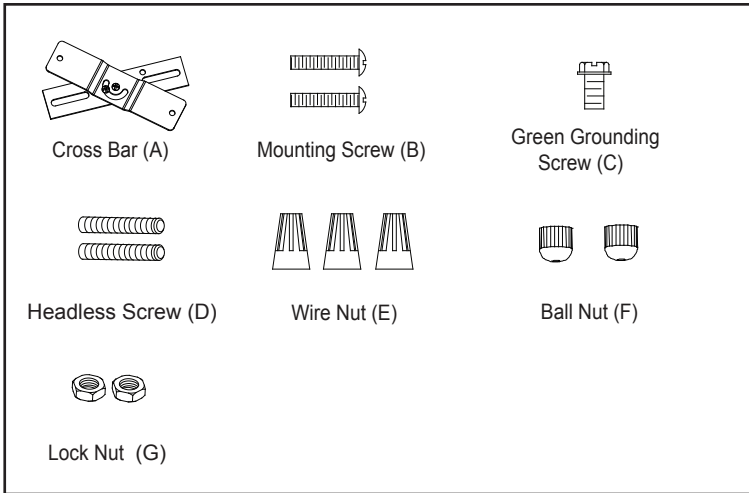
1. Thread two headless screws through the cross bar, then secure them with four lock nuts. (two on each side of the mounting plate) Adjust the length of the headless screws if necessary.
2. Attach the cross bar to the outlet box using two mounting screws.
3. Pull out the source wires from the outlet box. Make wire connections using wire nuts as follows:
 - Connect the hot wire (usually black insulation) from the fixture to the black wire from the power source.
 - Connect the neutral wire (usually white insulation) from the fixture to the white wire from the power source.
 - Attach the fixture grounding wire (usually green insulation or bare wire) to the cross bar with the green grounding screw. Then connect it to the house grounding wire with the wire nut.Carefully put the wires back into the outlet box.
4. Attach the ceiling pan to the cross bar by inserting the two headless screws, then secure it with the ball nuts.
5. Install bulbs (not included), see relamping label at socket area or packaging for maximum allowed wattage.
6. Screw the threaded pipe into the coupling, then secure it with a washer and hex nut.
7. Attach the frame to the ceiling pan by inserting the threaded pipe, then secure it with the decorative cup and finial.



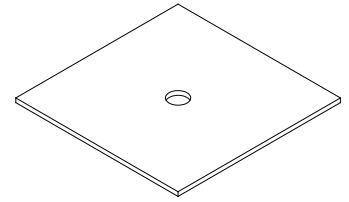
Turn on the power at fuse or circuit box.

The following parts are available for re-order if damaged or missing.

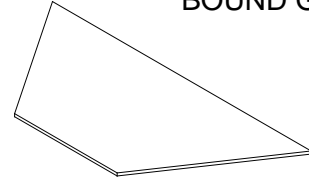
Spare Parts List:



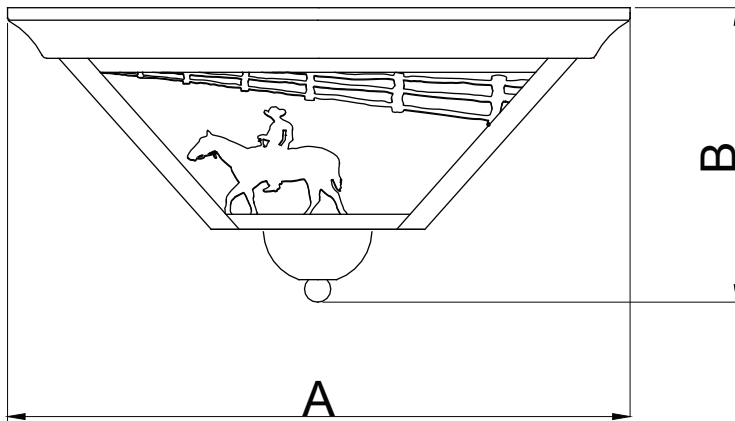
Assembly Kit
5206MM (1 SET)



Bottom Glass Panel
9669AF(1PC)
BOUND GLASS



Side Glass Panel
9668AF(4PCS)
BOUND GLASS



A: 14"

B: 7"