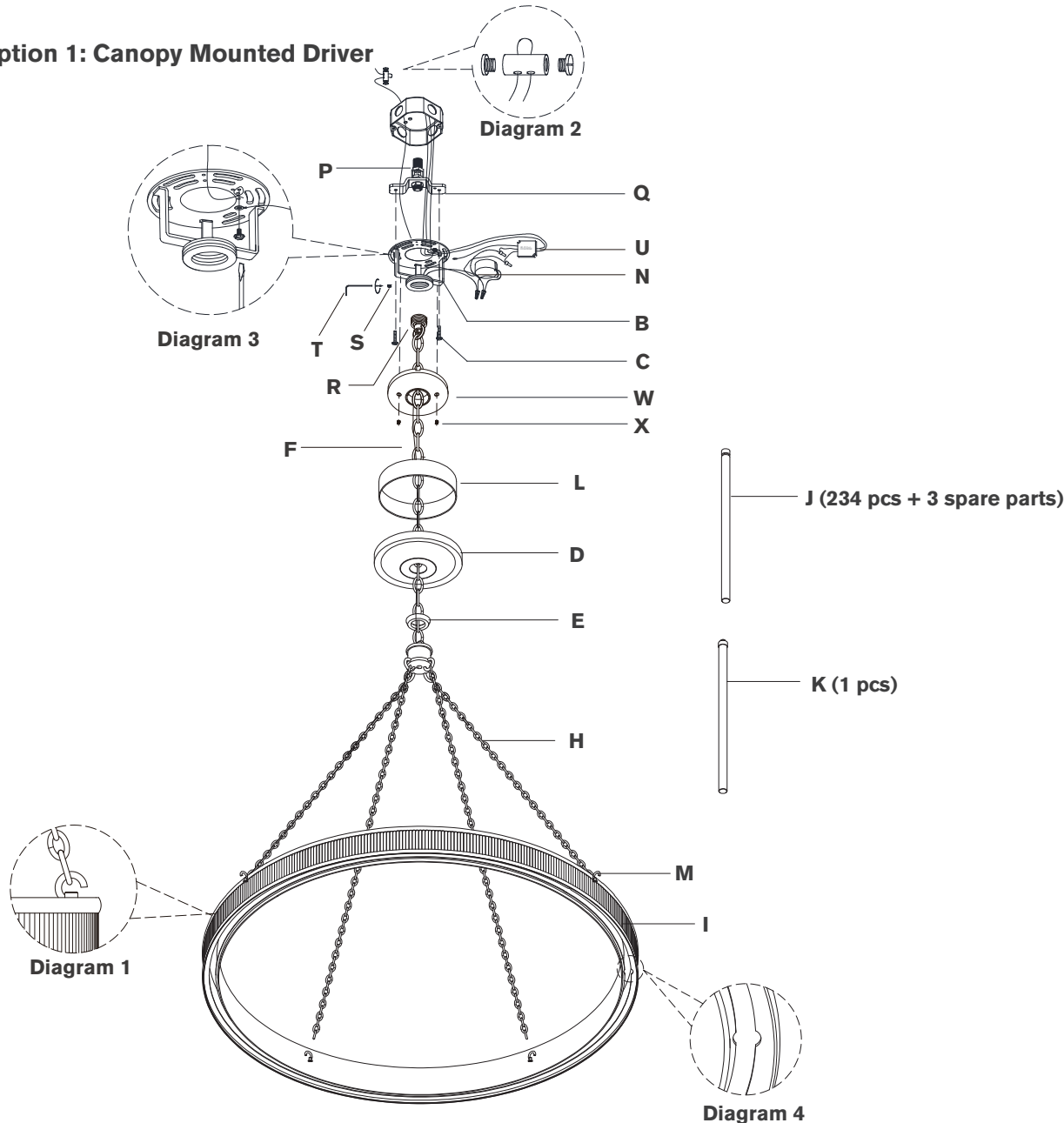


ASSEMBLY INSTRUCTIONS

Option 1: Canopy Mounted Driver



Menil 40" Chandelier

Item # MF5175

NOTICE:

This light fixture should be installed in accordance with all applicable, local installation codes, and by a person familiar with the construction and operation of it, as well as the hazards involved. Inspect item and contents carefully. If any damage or defect is found, do not install. Retain all packaging material until installation is complete and approved.

TOOLS REQUIRED (NOT INCLUDED):

Phillips Screwdriver	Slotted Screwdriver	Chain Pliers
Slip Joint Pliers	Measuring Tape	Wire Cutters
Wire Strippers		

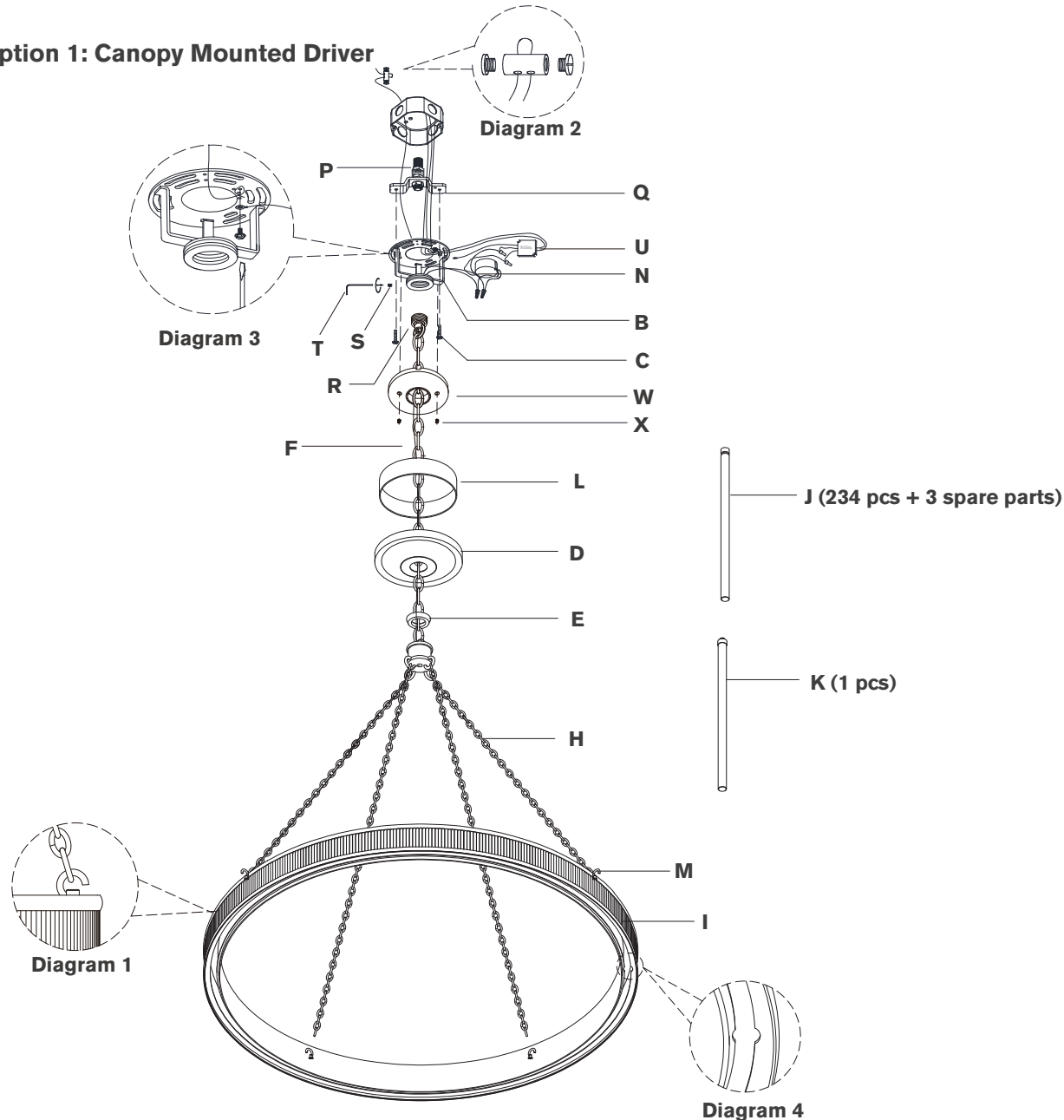
- Carefully remove all parts from the box. Place on a clean, soft surface.
- Remove tall mounting plate (B) and driver housing (L) from canopy (D) by removing collar ring (E).
- Remove heat sink (W) from tall mounting plate (B) by removing screws (X).
- It is recommended to install a 1/4 IPS (1/2" dia) threaded pipe, secured to a structural member of the building (not included). Then install threaded receiver (P) on top of fixture to threaded pipe and tighten with wrench.
- Install mounting bracket (Q) to threaded receiver (P) and secure with hex nut.
- Install tall mounting plate (B) to mounting bracket (Q) and secure with screws (C).
- Determine desired overall length, and amount of chain (F) needed. Shorten chain (F) using chain pliers (Keep extra chain).
- Add collar ring (E), canopy (D), driver housing (L) and heat sink (W) to chain (F) and slip down carefully.
- Thread collar loop (R) to tall mounting plate (B) and secure using set screw (S) with provided wrench (T).
- Attach chains (H) to hooks (M) on fixture body (I) (see diagram 1).

VISUAL COMFORT



ASSEMBLY INSTRUCTIONS

Option 1: Canopy Mounted Driver



Menil 40" Chandelier

Item # MF5175

NOTICE:

This light fixture should be installed in accordance with all applicable, local installation codes, and by a person familiar with the construction and operation of it, as well as the hazards involved. Inspect item and contents carefully. If any damage or defect is found, do not install. Retain all packaging material until installation is complete and approved.

11. Thread fixture wire and ground wire through chain **(F)**.
NOTE: When you reach the collar loop, ensure there is no tension on the wires. Cut excess wires, being sure to leave enough to reach the junction box.
12. Separate two sides of molded wire, and strip insulation on each 5/8".
13. Twist all fixture wires together and slip through center hole of collar loop **(R)**.
NOTE: Untwist wires and separate to prepare for connection.
14. Loosen cable lock and install to end of safety cable. Run safety cable through junction box and around structural member of building. Insert cable through cable lock and tighten the ends with a screwdriver to secure. (See diagram 2)
15. Connect fixture neutral wire (ribbed) to the driver **(N)** output neutral wire (black) using wire nut **(A)**.
16. Connect fixture hot wire (smooth with markings) to the driver **(N)** output hot wire (red) using wire nut **(A)**.
17. Connect supply ground wire (usually green or bare copper) and filter ground wire around the greeng rounding screw (see diagram 3). Tighten.
NOTE: It is imperative that the fixture is grounded.
18. Connect filter **(U)** input neutral wire (white) to the supply neutral wire (usually white) using wire nut **(A)**.
19. Connect filter **(U)** input hot wire (black) to the supply hot wire (usually black) using wire nut **(A)**.
CAUTION: Do not reverse the hot and neutral connections.
20. Make sure all wire connections are tight, then carefully tuck into the junction box.

ASSEMBLY INSTRUCTIONS

Option 1: Canopy Mounted Driver

Menil 40" Chandelier

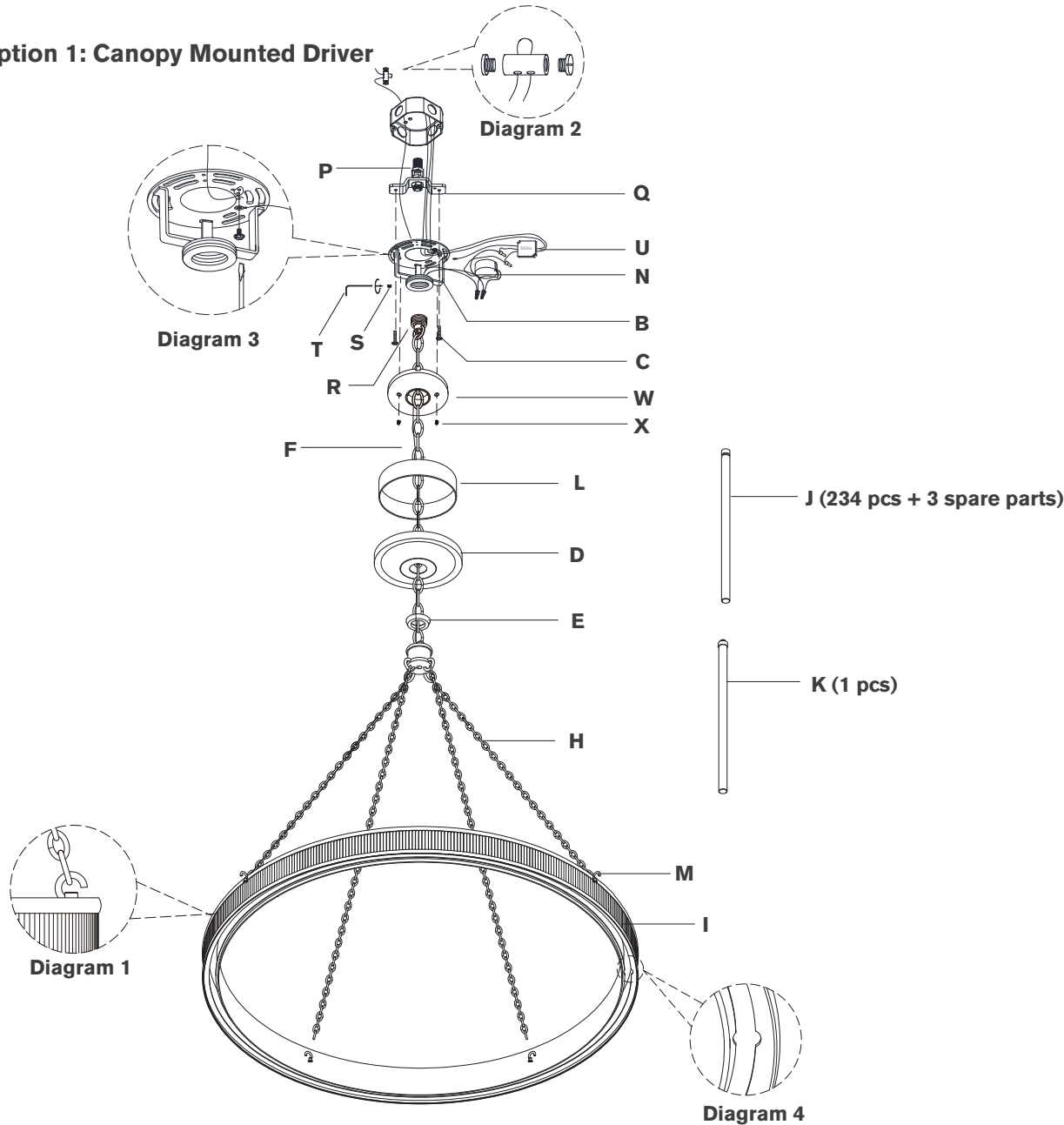
Item # MF5175

NOTICE:

This light fixture should be installed in accordance with all applicable, local installation codes, and by a person familiar with the construction and operation of it, as well as the hazards involved. Inspect item and contents carefully. If any damage or defect is found, do not install. Retain all packaging material until installation is complete and approved.

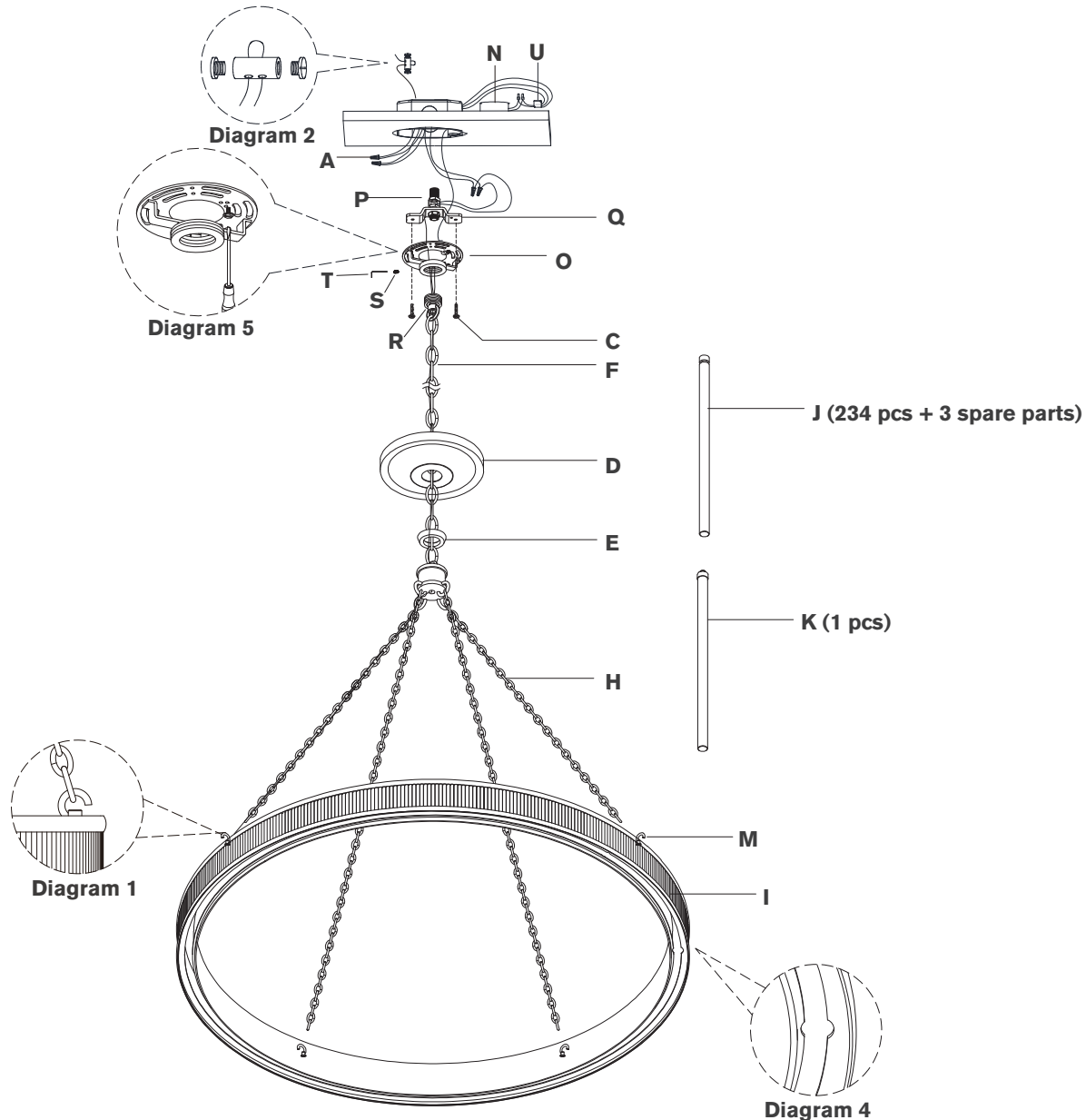
21. Insert driver **(N)** and filter **(U)** into mounting plate bracket.
22. Install heat sink **(W)** to tall mounting plate **(B)** and secure with screws **(X)**.
23. Install driver housing **(L)** and canopy **(D)** to tall mounting plate **(B)** and secure with collar ring **(E)**.
24. To install glass rods **(J)** insert into hole on bottom of fixture frame, align with groove in rod and slide over.
25. Once all glass rods **(J)** are installed, align glass rod **(K)** with hole on bottom of fixture frame and thread to secure. (see diagram 4)

Care Instructions: Clean only with a soft dry cloth or feather duster. Do not use abrasive or chemical agents.



ASSEMBLY INSTRUCTIONS

Option 2: Ceiling Mounted Driver



Menil 40" Chandelier

Item # MF5175

NOTICE:

This light fixture should be installed in accordance with all applicable, local installation codes, and by a person familiar with the construction and operation of it, as well as the hazards involved. Inspect item and contents carefully. If any damage or defect is found, do not install. Retain all packaging material until installation is complete and approved.

TOOLS REQUIRED (NOT INCLUDED):

Phillips Screwdriver	Slotted Screwdriver	Chain Pliers
Slip Joint Pliers	Measuring Tape	Wire Cutters
Wire Strippers		

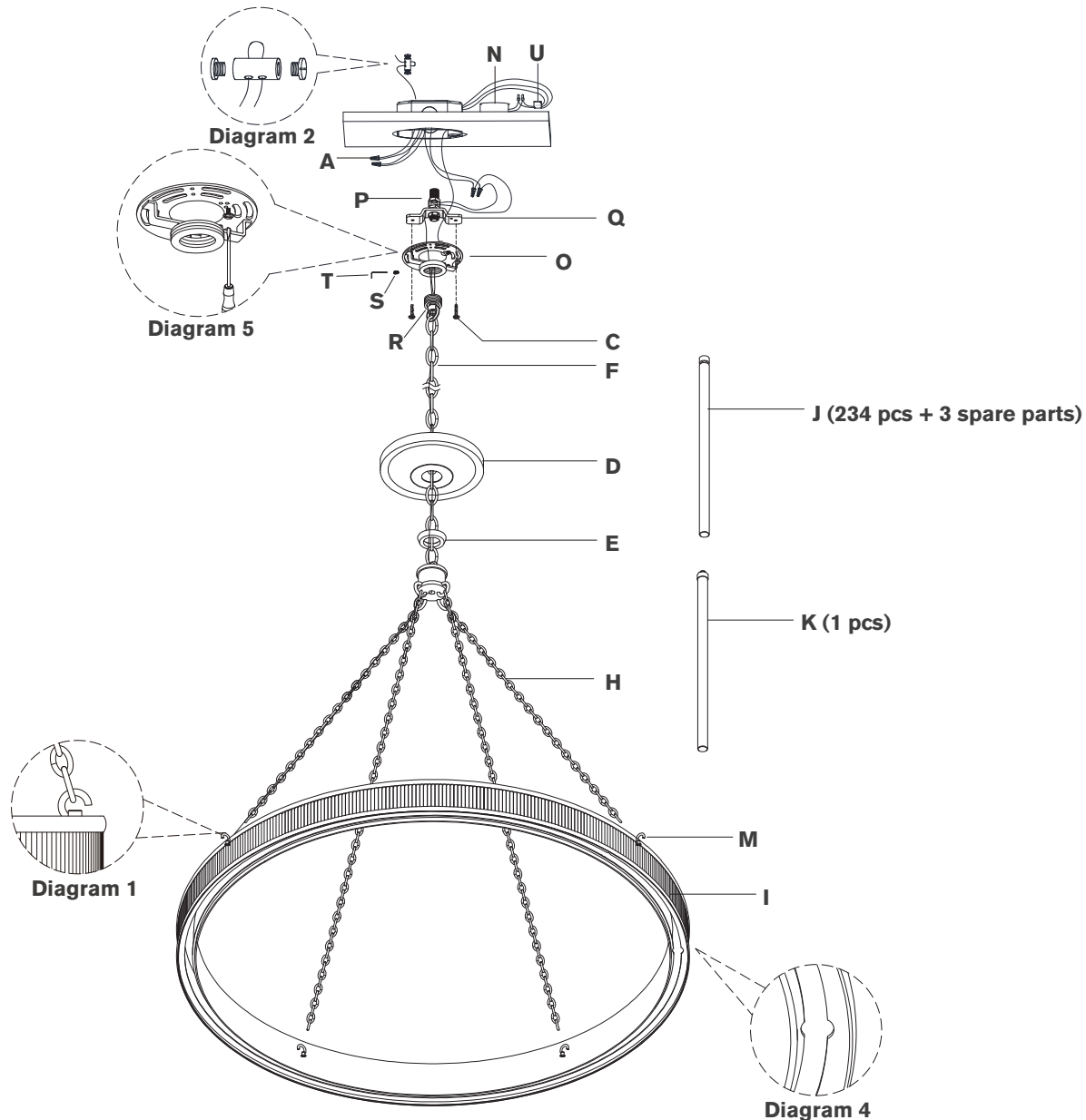
- Carefully remove all parts from the box. Place on a clean, soft surface.
- Remove tall mounting plate (B) and driver housing (L) from canopy (D) by removing collar ring (E).
- NOTE:** Tall mounting plate (B) and driver housing (L) will not be used for ceiling mounted assembly. Keep part and store for future use.
- Place driver (N) and filter (U) into ceiling and route all wires through one of the knockouts in the junction box.
- Locate shorter profile mounting plate (O) for option 2 mounting.
- It is recommended to install a 1/4 IPS (1/2" dia) threaded pipe, secured to a structural member of the building (not included). Then install threaded receiver (P) on top of fixture to threaded pipe and tighten with wrench.
- Install mounting bracket (Q) to threaded receiver (P) and secure with hex nut.
- Install shorter mounting plate (O) to mounting bracket (Q) and secure with screws (C).
- Determine desired overall length, and amount of chain (F) needed. Shorten chain (F) using chain pliers (Keep extra chain).
- Add collar ring (E) and canopy (D) to chain (F) and slip down carefully.
- Thread collar loop (R) to shorter mounting plate (O) and secure using set screw (S) with provided wrench (T).

VISUAL COMFORT



ASSEMBLY INSTRUCTIONS

Option 2: Ceiling Mounted Driver



Menil 40" Chandelier

Item # MF5175

NOTICE:

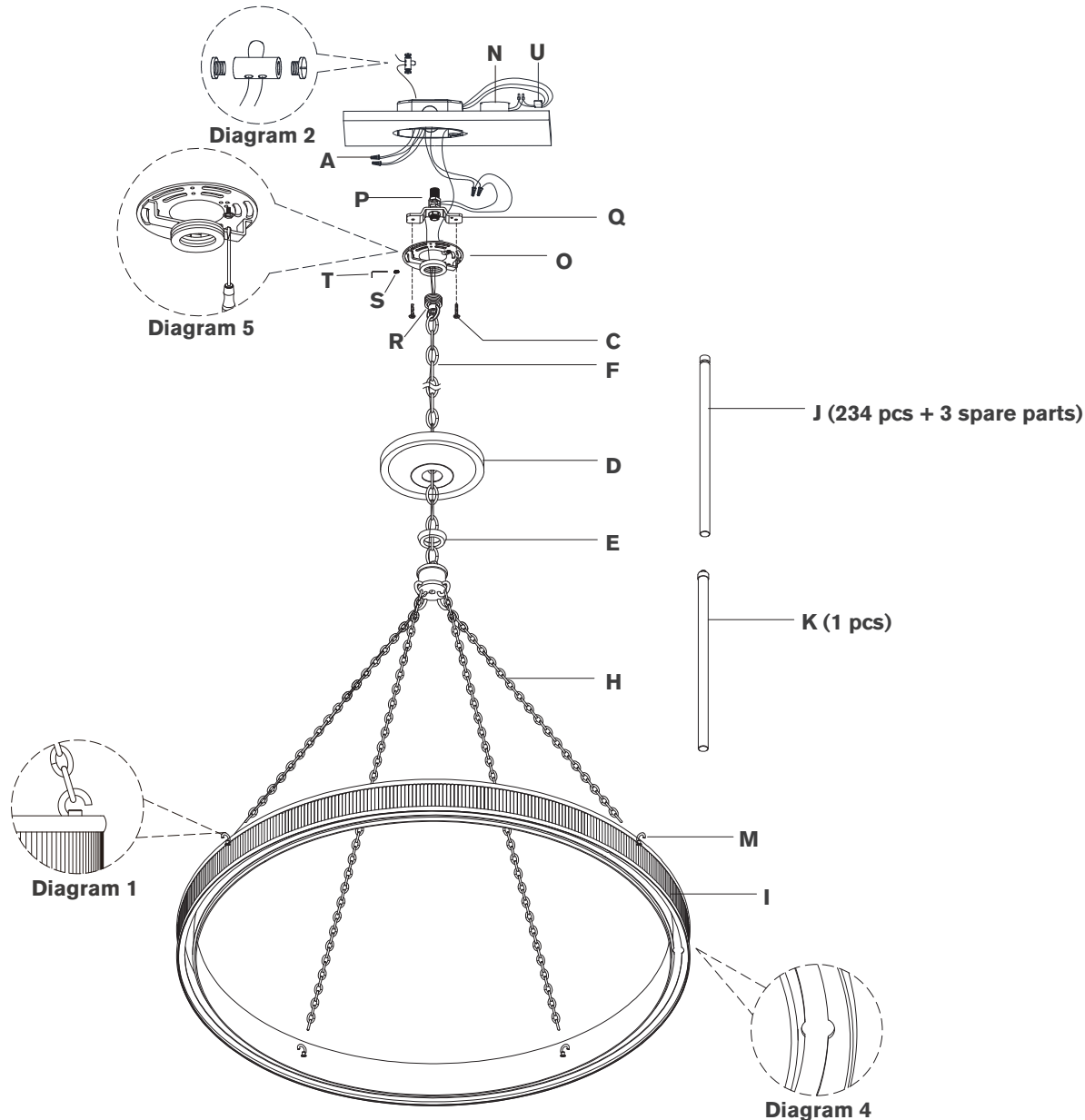
This light fixture should be installed in accordance with all applicable, local installation codes, and by a person familiar with the construction and operation of it, as well as the hazards involved. Inspect item and contents carefully. If any damage or defect is found, do not install. Retain all packaging material until installation is complete and approved.

11. Install canopy (D) to mounting plate (B) and secure with collar ring (E).
12. Attach chains (H) to hooks (M) on fixture body (I) (see diagram 1).
13. Thread safety cable fixture wire and ground wire through chain (F).
NOTE: When you reach the collar loop, ensure there is no tension on the wires. Cut excess wires, being sure to leave enough to reach the junction box.
14. Separate two sides of molded wire, and strip insulation on each 5/8".
15. Loosen collar ring (E) and let canopy (D) slip down chain (F) carefully.
16. Twist all fixture wires together. Slip through center hole of collar loop (R).
NOTE: Untwist wires and separate to prepare for connection.
17. Loosen cable lock and install to end of safety cable. Run safety cable through junction box and around structural member of building. Insert cable through cable lock and tighten the ends with a screwdriver to secure. (See diagram 2)
18. Connect fixture hot wire (smooth with markings) to the driver (N) output hot wire (red) using wire nut (A).
19. Connect supply ground wire (usually green or bare copper) and filter ground wire around the green grounding screw (see diagram 5). Tighten.
NOTE: It is imperative that the fixture is grounded.
20. Connect filter (U) input neutral wire (white) to the supply neutral wire (usually white) using wire nut (A).
21. Connect filter (U) input hot wire (black) to the supply hot wire (usually black) using wire nut (A).
CAUTION: Do not reverse the hot and neutral connections.
22. Make sure all wire connections are tight, then carefully tuck into the junction box.

VISUAL COMFORT

ASSEMBLY INSTRUCTIONS

Option 2: Ceiling Mounted Driver



Menil 40" Chandelier

Item # MF5175

NOTICE:

This light fixture should be installed in accordance with all applicable, local installation codes, and by a person familiar with the construction and operation of it, as well as the hazards involved. Inspect item and contents carefully. If any damage or defect is found, do not install. Retain all packaging material until installation is complete and approved.

23. Install canopy (**D**) to shorter mounting plate (**O**) and secure with collar ring (**E**).
24. To install glass rods (**J**) insert into hole on bottom of fixture frame, align with groove in rod and slide over.
25. Once all glass rods (**J**) are installed, align glass rod (**K**) with hole on bottom of fixture frame and thread to secure. (see diagram 4)

Care Instructions: Clean only with a soft dry cloth or feather duster. Do not use abrasive or chemical agents.