

ASSEMBLY INSTRUCTIONS

Linear Tall Wall Lantern

Item # CHD 2910

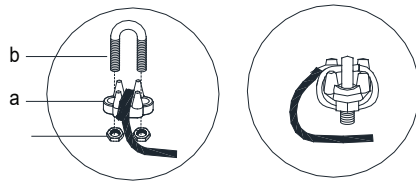
WE RECOMMEND INSTALLATION OF THIS LIGHTING FIXTURE BE DONE BY A LICENSED ELECTRICIAN.

WARNING*SWITCH OFF THE MAIN ELECTRICAL SUPPLY FROM THE MAIN FUSE BOX/CIRCUIT BREAKER BEFORE INSTALLATION.**

INSPECT ITEM CAREFULLY BEFORE ATTEMPTING TO INSTALL. IF THERE IS ANY DAMAGE OR OBVIOUS DEFECT. DO NOT INSTALL.

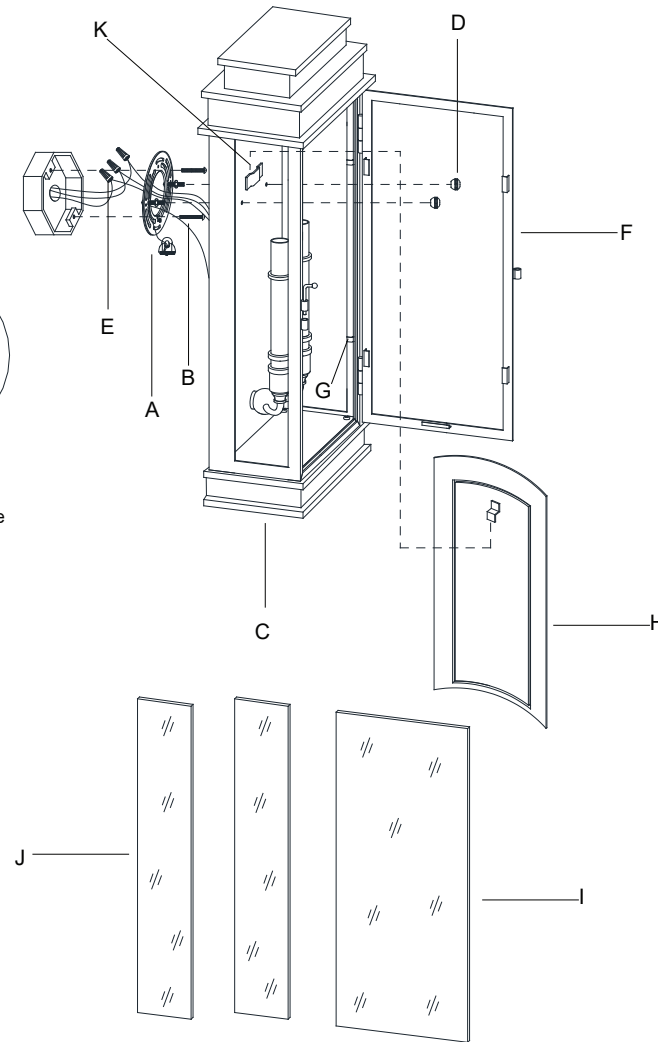
ITEM MAY NOT BE RETURNED ONCE IT HAS BEEN INSTALLED.

NOTE: CAREFULLY UNPACK EACH PIECE IN TOP LAYER OF PACKING PRIOR TO REMOVING. RETAIN ALL PACKING MATERIAL UNTIL INSPECTION AND INSTALLATION ARE FINAL.



Install safety cable:

1. Wrap the safety cable into the slot hole on the mounting plate (A).
2. Wrap the safety cable around the saddle (a).
3. Insert U-bolt clip (b) into the saddle (a) and secure with the nuts (c).



1. Carefully remove all parts from the box.
2. Remove the mounting plate (A) from the fixture body (C) by unscrewing the cap nuts (D).
3. Install the mounting plate (A) to the junction box with the mounting screws (B) provided.
4. Connect the safety cable as shown in figure.
5. Wrap the fixture ground wire to the green ground screw on the mounting plate (A) and secure, then connect to the ground wire in the junction box using the wire nut (E).
IT IS IMPERATIVE THAT THIS FIXTURE BE GROUNDED.
6. Connect the fixture white wire to the neutral wire in the junction box using the wire nut (E).
7. Connect the fixture black wire to the hot wire in the junction box using the wire nut (E).
DO NOT REVERSE THE HOT AND NEUTRAL CONNECTIONS OTHERWISE SAFETY WILL BE COMPROMISED.
8. Carefully tuck the wire connections into the junction box.
9. Install the fixture body (C) to the mounting plate (A) and secure with the cap nuts (D).
10. Hang the reflector (H) to the hook (K).
11. Install the glass panels (J) to the sides of the fixture body (C) and secure by bending metal tabs (G).
12. Insert the glass (I) to the door (F).
13. Insert bulbs (not included) into the sockets and close the door (F).

FOR OUTDOOR/WET LOCATION INSTALLATION:

14. With silicone caulking compound, caulk completely around where back of canopy meets the wall surface to prevent water from seeping into the junction box.
15. Installation is complete, turn on power at fuse or circuit breaker.

***Clean with a dry, soft cloth only. Use no harsh abrasives or chemical agents.