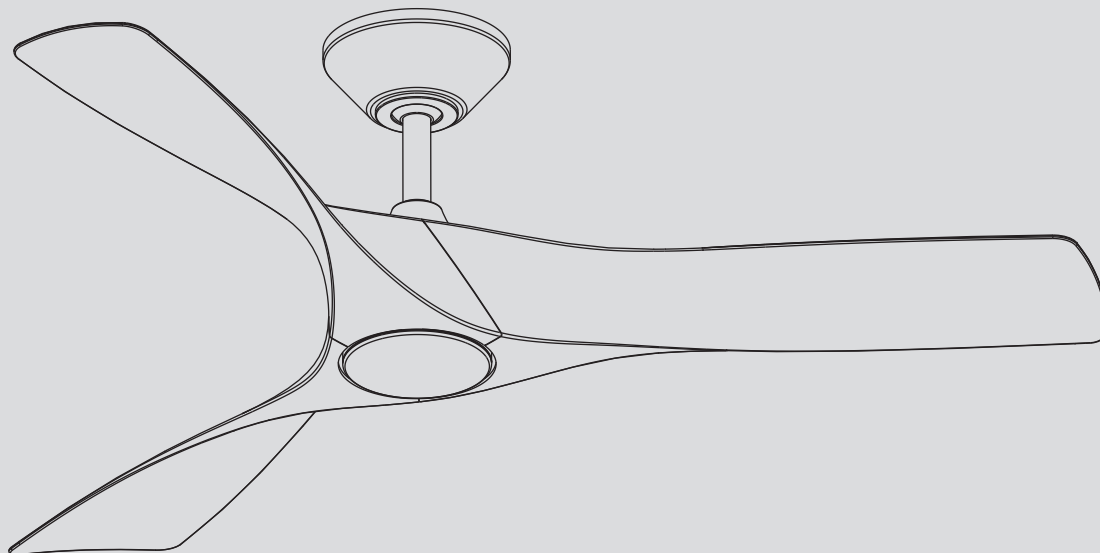




Ceiling Fan Installation Manual



93131624_B

P250060

Limited Lifetime Warranty

Progress Lighting fan motors are warranted to the original purchaser to be free of electrical and/or mechanical defects for so long as the original purchaser owns the fan. Pull chain switches, reverse switches, capacitors and metal finishes are warranted to be free from defects in materials or workmanship for a period of 1 year from the date of purchase. Warping of wooden or plastic blades is not covered by this warranty nor is corrosion and/or deterioration of any finishes for fans installed within ten miles of any sea coast. Extended warranties for ENERGY STAR® qualified products may apply.

Progress Lighting ceiling fans with built-in LED light sources, when properly installed and under normal conditions of use, are warranted to be free from defects in material and workmanship which cause the light sources to fail to operate in accordance with the specifications for (i) five (5) years from the date of purchase on the LED Light modules and electrical components for fans used in single family residences, and (ii) three (3) years from the date of purchase on the LED Light modules and electrical components for fans used in multi-family or commercial applications. LED bulbs supplied by Progress Lighting carry no warranty other than manufacturer's warranty. Non-LED bulbs carry no warranty.

With proof of purchase, the original purchaser may return the defective fan to the place of purchase during the first 30 days for replacement. After 30 days, the original purchaser MUST contact Progress Lighting at (864) 678-1000 for repair or replacement which shall be determined in Progress Lighting's sole discretion and shall be purchaser's sole and exclusive remedy.

Labor and Shipping Excluded. This warranty does not cover any costs or fees associated with the labor (including, but not limited to, electrician's fees) required to install, remove, or replace a fan or any fan parts.

This warranty shall not apply to any loss or damage resulting from (i) normal wear and tear or alteration, misuse, abuse or neglect, or (ii) improper installation, operation, repair or maintenance by original purchaser or a third party, including without limitation improper voltage supply or power surge, use of improper parts or accessories, unauthorized repair (made or attempted) or failure to provide maintenance to the fan.

THE FOREGOING WARRANTIES STATE PROGRESS LIGHTING'S ENTIRE WARRANTY OBLIGATION AND ORIGINAL PURCHASER'S SOLE AND EXCLUSIVE REMEDY RELATED TO SUCH PRODUCTS. PROGRESS LIGHTING IS NOT RESPONSIBLE FOR DAMAGES (INCLUDING INDIRECT, SPECIAL, INCIDENTAL OR CONSEQUENTIAL), DUE TO PRODUCT FAILURE, WHETHER ARISING OUT OF BREACH OF WARRANTY, BREACH OF CONTRACT, OR OTHERWISE. THIS WARRANTY IS GIVEN IN LIEU OF ALL OTHER WARRANTIES, WHETHER EXPRESSED OR IMPLIED, INCLUDING THOSE OF MERCHANTABILITY, FITNESS FOR A PARTICULAR PURPOSE OR NONINFRINGEMENT.

Some states do not allow limitations on how long an implied warranty lasts or the exclusion or limitations of incidental or consequential damages, so the above limitations and exclusions may not apply to you. This warranty gives you specific rights and you may have other rights which vary from state to state.

Date Purchased _____

Store Purchased _____

Model No. _____

Serial No. _____

Vendor No. _____ 126751

785247245420

785247245437

UPC 785247245444



Safety Rules.....	1.
Unpacking Your Fan	2.
Installing Your Fan	3.
Installing the Light Kit.....	8.
Operating Your Transmitter	9.
Care of Your Fan	11.
Troubleshooting	12.
Specifications	13.

Table of Contents

1. To reduce the risk of electric shock, insure electricity has been turned off at the circuit breaker or fuse box before beginning.
2. All wiring must be in accordance with the National Electrical Code and local electrical codes. Electrical installation should be performed by a qualified licensed electrician.
3. **WARNING:** To reduce the risk of electrical shock and fire, do not use this fan with any solid-state fan speed control device.
4. **WARNING:** To reduce the risk of fire, electric shock, or personal injury, mount to outlet box marked "Acceptable for Fan Support of 15.9 kg (35 lbs.) Or Less" and use mounting screws provided with the outlet box. Most outlet boxes commonly used for the support of light fixtures are not acceptable for fan support and may need to be replaced. Due to the complexity of the installation of this fan, a qualified licensed electrician is strongly recommended.
5. The outlet box and support structure must be securely mounted and capable of reliably supporting a minimum of 35 lbs (15.9 kg) or less. Use only CUL-listed outlet boxes marked **FOR FAN SUPPORT**.
6. The fan must be mounted with a minimum of 7 ft (2.1m) clearance from the trailing edge of the blades to the floor.
7. Avoid placing objects in the path of the blades.
8. To avoid personal injury or damage to the fan and other items, be cautious when working around or cleaning the fan.
9. Do not use water or detergents when cleaning the fan or fan blades. A dry dust cloth or lightly dampened cloth will be suitable for most cleaning.
10. After making electrical connections, spliced conductors should be turned upward and pushed carefully up into the outlet box. The wires should be spread apart with the grounded conductor and the equipment-grounding conductor on one side of the outlet box.
11. Electrical diagrams are for reference only. Light kits that are not packed with the fan must be UL Listed and marked suitable for use with the model fan you are installing. Switches must be UL General Use Switches. Refer to the Instructions packaged with the light kits

WARNING

TO REDUCE THE RISK OF FIRE, ELECTRIC SHOCK OR PERSONAL INJURY, MOUNT FAN TO OUTLET BOX MARKED ACCEPTABLE FOR FAN SUPPORT.

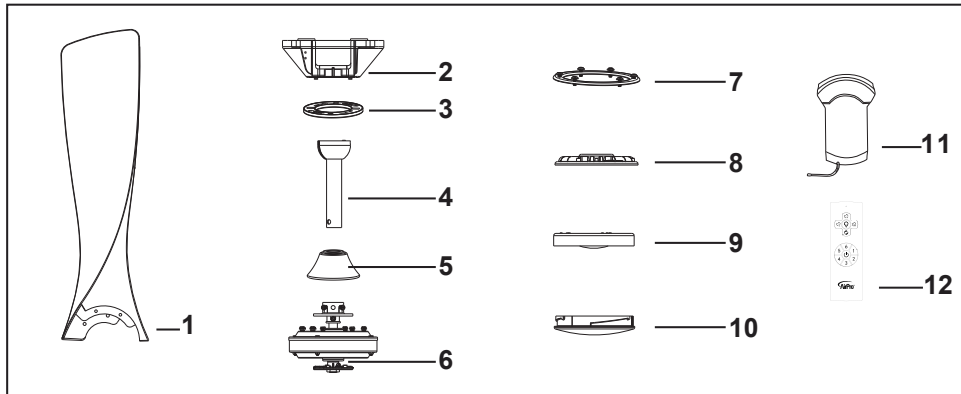
WARNING

TO REDUCE THE RISK OF PERSONAL INJURY, DO NOT BEND THE BLADE ARMS (ALSO REFERRED TO AS BRACKETS) DURING ASSEMBLY OR AFTER INSTALLATION. DO NOT INSERT OBJECTS IN THE PATH OF THE BLADES.

NOTE

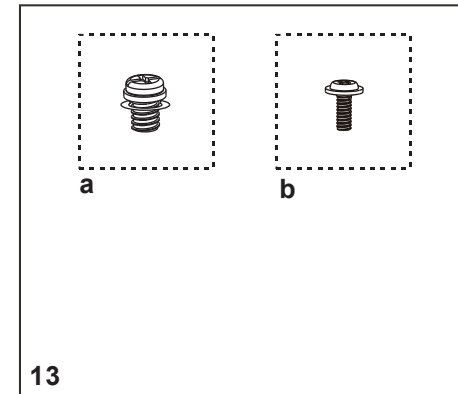
READ AND SAVE ALL INSTRUCTIONS!

1. Safety Rules



Unpack your fan and check the contents. You should have the following items:

- | | |
|------------------------------|-------------------------------|
| 1. Fan blades (3) | 7. Flywheel |
| 2. Canopy & mounting bracket | 8. Mounting plate |
| 3. Canopy cover | 9. LED light kit |
| 4. Ball/downrod assembly | 10. Diffuser |
| 5. Collar cover | 11. Receiver with 9 wire nuts |
| 6. Fan motor assembly | 12. Transmitter assembly |



13. Loose parts bag containing:

- a. Blade attachment hardware**
1/4" x 12mm screw (1)
- b. Flywheel attachment hardware**
3/16" x 9 screw (1)

Unpacking Your Fan 2.

Tools Required

Phillips screw driver, straight slot screw driver, adjustable wrench, step ladder, and wire cutters.

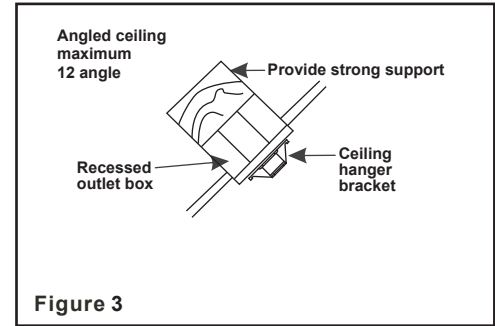
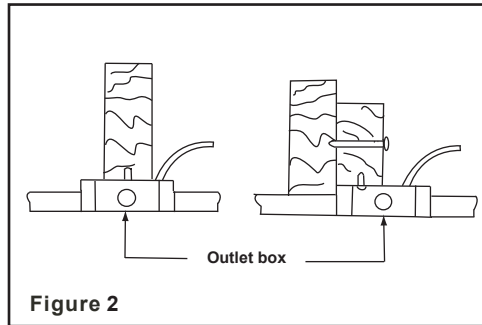
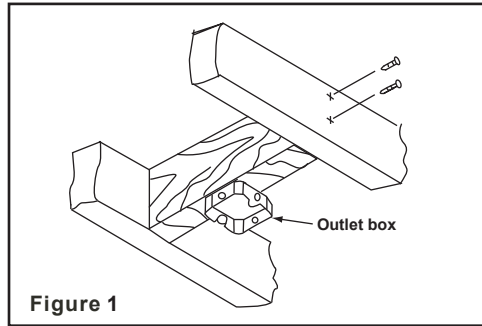
Mounting Options

If there isn't an existing cUL listed mounting box, then read the following instructions. Disconnect the power by removing fuses or turning off circuit breakers.

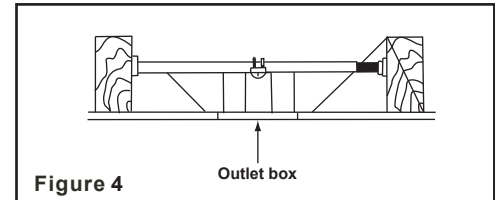
Secure the outlet box directly to the building structure. Use appropriate fasteners and building materials. The outlet box and its support must be able to fully support the moving weight of the fan (at least 35 lbs). Do not use plastic outlet boxes.

WARNING

TO REDUCE THE RISK OF FIRE, ELECTRIC SHOCK, OR OTHER PERSONAL INJURY, MOUNT FAN ONLY TO AN OUTLET BOX MARKED ACCEPTABLE FOR FAN SUPPORT AND USE THE MOUNTING SCREWS PROVIDED WITH THE OUTLET BOX. OUTLET BOXES COMMONLY USED FOR THE SUPPORT OF LIGHTING FIXTURES MAY NOT BE ACCEPTABLE FOR FAN SUPPORT AND MAY NEED TO BE REPLACED. CONSULT A QUALIFIED ELECTRICIAN IF IN DOUBT.



Note: You may need a longer downrod to maintain proper blade clearance when installing on a steep, sloped ceiling.



To hang your fan where there is an existing fixture but no ceiling joist, you may need an installation hanger bar as shown in Figure 4 (available at your Progress Lighting Retailer).

3. Installing Your Fan

Hanging the Fan

REMEMBER to turn off the power. Follow the steps below to hang your fan properly:

Step 1. Remove the mounting bracket from the canopy by removing the 1 of 2 screws from the bottom of the mounting bracket and loosening the other one a half turn from the screw head. Next, turn the canopy counter clockwise to removing the mounting bracket from the canopy. (Fig. 5)

Step 2. Pass the 120-volt supply wires through the center hole in the ceiling hanger bracket as shown in Fig. 6.

Step 3. Secure the mounting bracket to the ceiling outlet box with the screws and washers provided with your outlet box.

Step 4. Remove the hanger pin, lock pin from the ball/downrod assembly, and loosen two set screws from the top of the motor assembly. (Fig. 7)

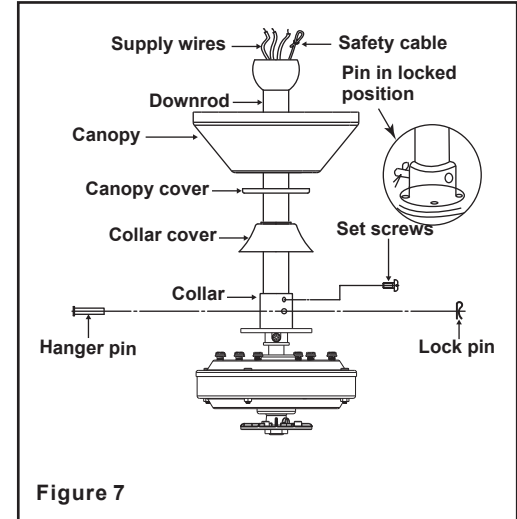
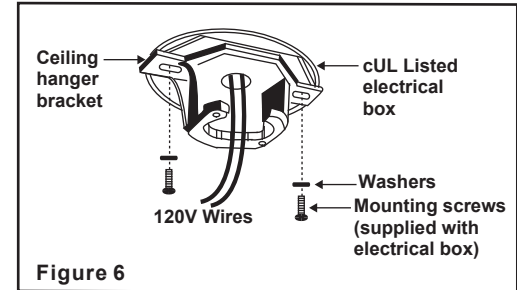
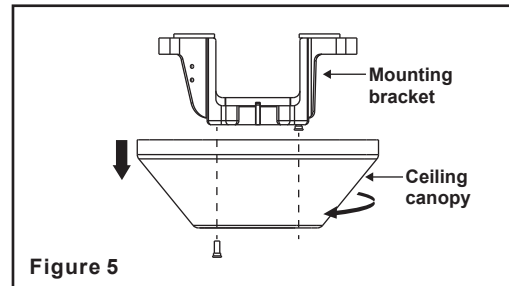
Step 5. Route wires exiting from the top of the fan motor through the collar cover, canopy cover, canopy and then through the ball/downrod. (Fig. 7)

Step 6. Align the holes at the bottom of the downrod with the holes in the collar on top of the motor housing (Fig. 7). Carefully insert the hanger pin through the holes in the collar and downrod. Be careful not to jam the pin against the wiring inside the downrod. Insert the locking pin through the hole near the end of the hanger pin until it snaps into its locked position, as noted in the circle inset of Fig. 7.

WARNING
FAILURE TO PROPERLY INSTALL
LOCKING PIN AS NOTED IN STEP 6
COULD RESULT IN FAN LOOSENING AND
POSSIBLY FALLING.

Step 7. Tighten two set screws on the motor collar into the downrod firmly. (Fig. 7)

Step 8. Place the downrod ball into the mounting bracket socket.



Make the Electric Connections

WARNING: To avoid possible electrical shock, be sure electricity is turned off at the main fuse box before wiring.

Step 1. (Fig. 8) Insert the receiver into the mounting bracket with the flat side of the receiver facing the ceiling.

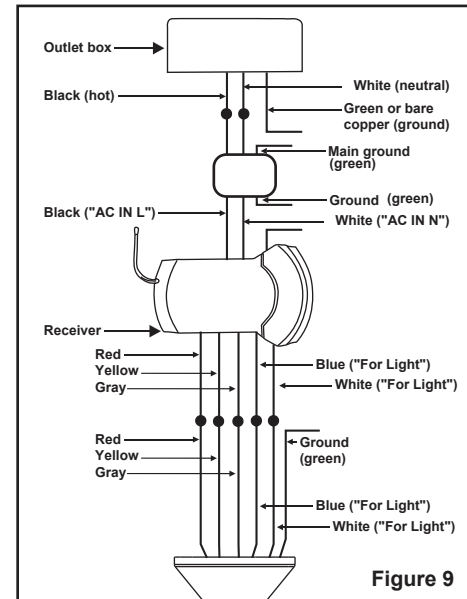
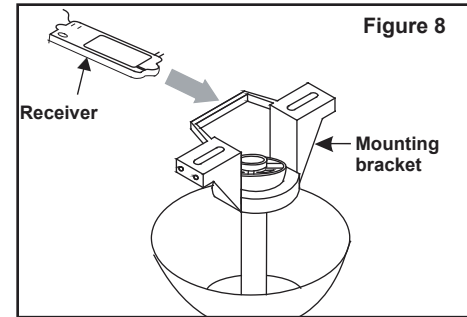
Step 2. (Fig. 9) Motor to Receiver Electrical Connections: Connect the Red wire from the fan to Red wire from the receiver. Connect the Yellow wire from the fan to the Yellow wire from the receiver. Connect the Gray wire from the fan to the Gray wire from the receiver. Connect the Blue wire from the fan to the Blue wire marked "For Light" from the receiver. Connect the White wire from the fan to the White wire marked "For Light" from the receiver. Secure wire connections with the plastic wire nuts provided.

Step 3. (Fig. 9) Receiver to House Supply Wires Electrical Connections: Connect the black (hot) wire from the ceiling to the black wire marked "AC in L" from the receiver. Connect the white (neutral) wire from the ceiling to the white wire marked "AC in N" from the Receiver. Secure the wire connections with the plastic wire nuts provided.

Step 4. (Fig. 9) If your outlet box has a ground wire (green or bare copper) connect it to the receiver main ground wire, connect the receiver other ground wires and hanging ball ground wire together. Otherwise connect the mounting bracket ground wire to the receiver main ground wire, connect the receiver other ground wires and hanging ball ground wire together. Secure the wire connection with a plastic nut provided. After connecting the wires spread them apart so that the green and white wires are on one side of the outlet box and black wires is on the other side. Carefully tuck the wire connections up into the outlet box.

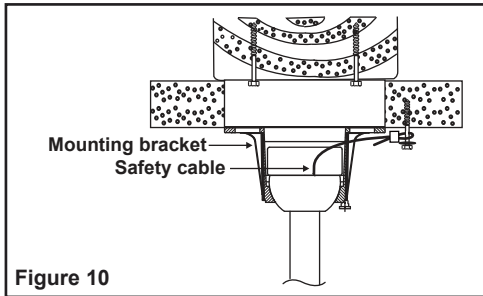
NOTE: Fan must be installed at a maximum distance of 20 feet or less from the transmitting unit for proper signal transmission between the transmitting unit and the fan's receiving unit.

NOTE: Convert your fan to WIFI by adding a P2673-01 WIFI Module.



INSTALLATION OF SAFETY SUPPORT

Secure safety cable to the building structure with a wood screw. (wood screw not supplied) (Fig. 10)

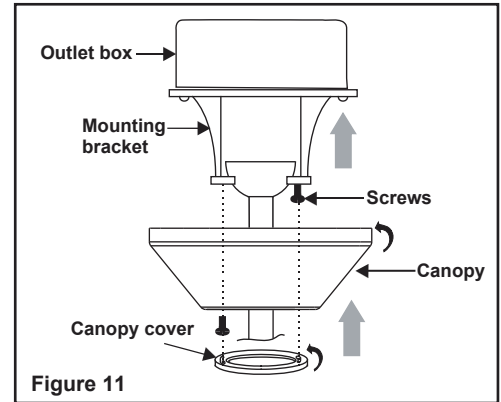


Finishing the Installation

Step 1. Tuck connections neatly into ceiling outlet box.

Step 2. Slide the canopy up to mounting bracket and place the key hole on the canopy over the screw on the mounting bracket, turn canopy until it locks in place at the narrow section of the key holes. (Fig. 11)

Step 3. Align the circular hole on canopy with the remaining hole on the mounting bracket, secure by tightening the two set screws. Note: Adjust the canopy screws as necessary until the canopy and canopy cover are snug.



WARNING

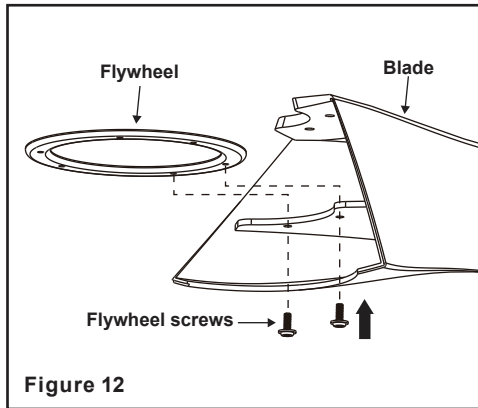
Make sure the notch on the mounting bracket properly sits in the groove in the hanger ball before attaching the canopy to the bracket by turning the housing until it drops into place.

Attaching the Fan Blades

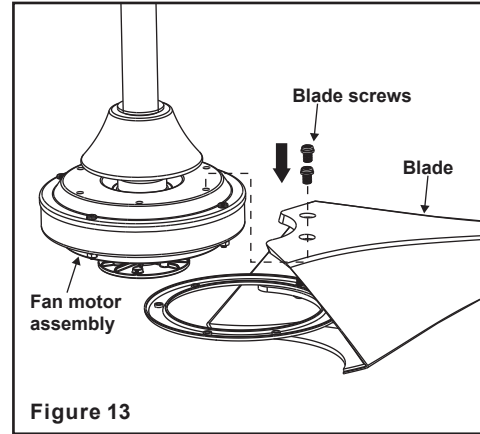
Step 1. Remove the six blade screws from the fan motor assembly.

Step 2. Remove the six flywheel screws from the flywheel.

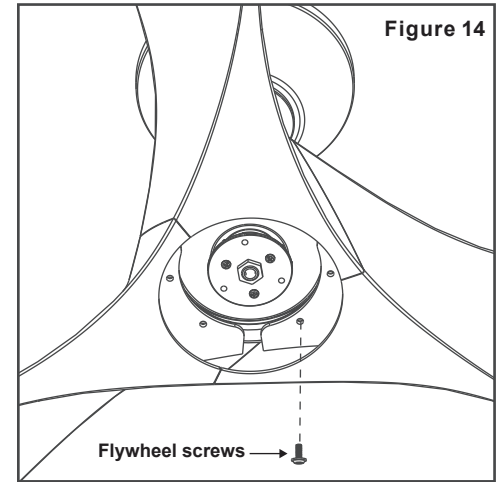
Step 3. Attach the flywheel to one of the three blades using two flywheel screws. (Fig. 12)



Step 4. Attach the blade with the flywheel to the fan motor assembly using two blade screws. Attach the other blades to the fan motor assembly. (Fig. 13)



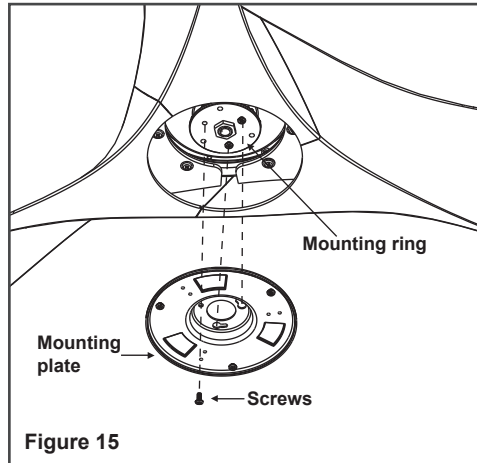
Step 5. Reinstall the four remaining flywheel screws to the flywheel. (Fig. 14)



Installing the Mounting Plate

Step 1. Remove 1 of the 3 screws from the mounting ring and loosen the other 2 screws. (Do not remove)

Step 2. Place the key holes on the mounting plate over the 2 screws previously loosened from the mounting ring, turn mounting plate until it locks in place at the narrow section of the key holes. Secure by tightening the 2 screws previously loosened and the one previously removed. (Fig. 15)



CAUTION: Before starting installation, disconnect the power by turning off the circuit breaker or removing the fuse at fuse box. Turning power off using the fan switch is not sufficient to prevent electric shock.

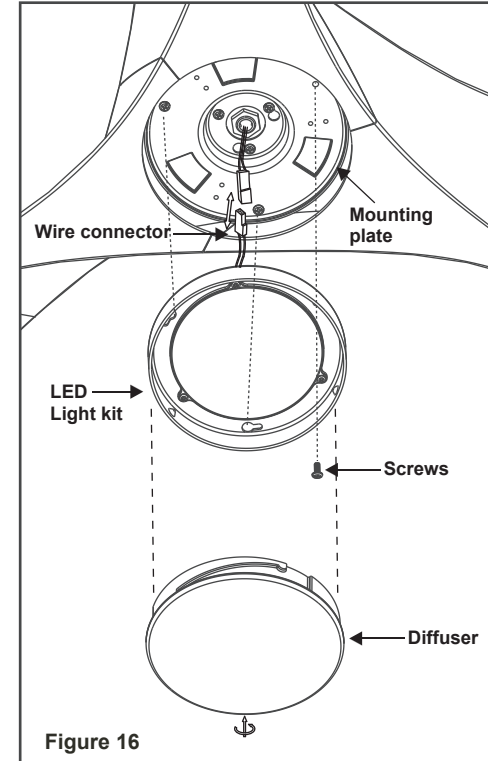
1. Remove 1 of 3 screws from the mounting plate and loosen the other 2 screws. (Do not remove)

2. While holding the LED light kit under the fan motor assembly, make the 2-pin wire connections:

- White to white
- Blue to blue

3. Place the key holes in the LED light kit over the two mounting screws previously loosened from the mounting plate. Turn the LED light kit until the LED light kit locks in place at the narrow section of the key holes. Secure by tightening the two screws previously loosened and the one previously removed. (Fig. 16)

4. Raise the diffuser up against the LED light kit and secure it to the fan by turning the diffuser clockwise until snug. DO NOT OVERTIGHTEN. (Fig. 16)




Installing the Light Kit 8.


INSTALLING THE BATTERY

Remove the back cover on the transmitter and install a 12V battery that is included with the remote control. (Fig. 17)

LEARNING PROCESS

NOTE: After the AC power is on, do not press any other button on the remote control before pressing the  button. Doing so will cause the procedure to fail.

Should you desire to use another remote control unit with your new fan, install one using the steps below:

Within 30 seconds of turning the fan's AC power ON, press and hold the  button for 5 seconds to enter the learning function. Once the receiver has detected the set frequency, the down light of your fan, if applicable, will blink twice. There is no indication if your fan is not equipped with a light.

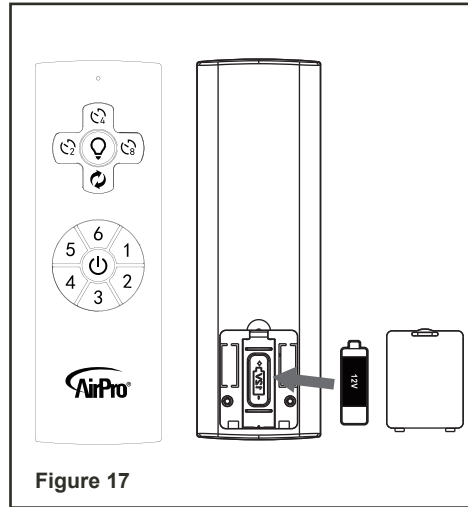


Figure 17

INSTALLING THE TRANSMITTER HOLDER

Attach the remote control holder with the two remote control holder mounting screws.(Fig.18)

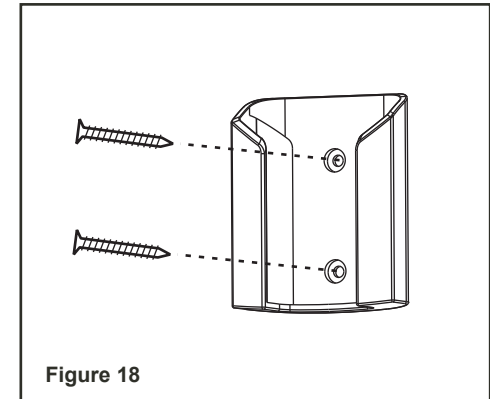


Figure 18

9. Operating Your Transmitter

Restore power to ceiling fan and test for proper operation.

A. 1,2,3,4,5,6 buttons:

These six buttons are used to set the fan speed as follows:


1 = low speed 2 = medium low speed
3 = medium speed 4 = medium high speed
5 = high speed 6 = Extra high speed



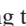
B.  button:

This button turns the fan off.

C.  button:

This button controls the light. Press and release the button to turn the light ON or OFF. Press and hold the button to set the desired brightness. The light key has an auto-resume, it will stay at the same brightness as the last time it was turned off.

D.  button:

Pressing the ( /  / ) button will automatically turn fan off after 2, 4 or 8 hours.

E.  button:

Fan reverse button

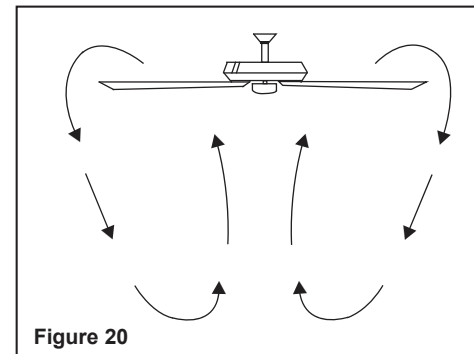
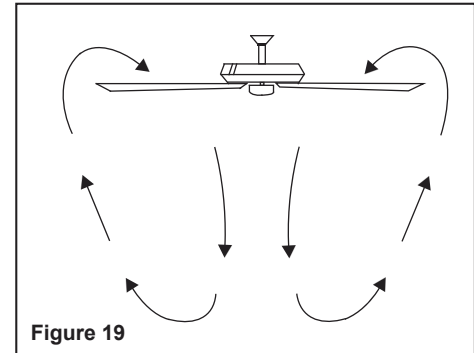
(Must be Pushed when the fan is in operation)

Speed settings for warm or cool weather depend on factors such as the room size. Ceiling height, number of fans and so on.

NOTE: To operate the reverse function on this fan, press the reverse button while the fan is running.

Warm weather - (Forward) A downward airflow creates a cooling effect as shown in Fig. 19. This allows you to set your air conditioner on a warmer setting without affecting your comfort.

Cool weather - (Reverse) An upward airflow moves warm air off the ceiling area as shown in Fig. 20. This allows you to set your heating unit on a cooler setting without affecting your comfort.



Here are some suggestions to help you maintain your fan

1. Because of the fan's natural movement, some connections may become loose. **Check the support connections, brackets, and blade attachments twice a year.** Make sure they are secure. **(It is not necessary to remove fan from ceiling.)**

2. Clean your fan periodically to help maintain its new appearance over the years. Use only a soft brush or lint-free cloth to avoid scratching the finish. The plating is sealed with a lacquer to minimize discoloration or tarnishing. Do not use water when cleaning. This could damage the motor, or the wood, or possibly cause an electrical shock.

3. Cover small scratches with a light application of shoe polish.

4. **There is no need to oil your fan.** The motor has permanently lubricated bearings.

IMPORTANT
MAKE SURE THE POWER IS OFF AT THE ELECTRICAL PANEL BOX BEFORE YOU ATTEMPT ANY REPAIRS. REFER TO THE SECTION "MAKING ELECTRICAL CONNECTIONS"

11. Care of Your Fan

Problem

Solution

Fan will not start.

1. Check circuit fuses or breakers.
2. Check line wire connections to the fan and switch wire connections in the switch housing.
CAUTION: Make sure main power is off.

Fan sounds noisy.

1. Make sure all motor housing screws are snug.
2. Make sure the screws that attach the fan blade bracket to the motor hub is tight.
3. Make sure wire nut connections are not rubbing against each other or the interior wall of the switch housing.
CAUTION: Make sure main power is off.
4. Allow a 24-hour "breaking-in" period. Most noise associated with a new fan disappear during this time.
5. If using an optional light kit, make sure the screws securing the lampshade are tight.
6. Make sure the upper canopy is a short distance from the ceiling. It should not touch the ceiling.

Remote control
malfunction

1. Do not connect the fan with wall mounted variable speed control (s).
2. Re-do learning process.

Troubleshooting 12.

Fan Size	Speed	Volts	Amps	Watts	RPM	CFM	N.W.	G.W.	C.F.
52"	Low	120	0.08	2.54	61	2045.47	12.76 lbs	15.75 lbs	2.68'
	High	120	0.50	33.11	167	5802.48			

These are approximate measures. They do not include Amps and Wattage used by the light kit.

This device complies with part 15 of the FCC Rules. Operation is subject to the following two conditions: (1) This device may not cause harmful interference, and (2) this device must accept any interference received, including interference that may cause undesired operation.

Warning: Changes or modifications to this unit not expressly approved by the party responsible for compliance could void the user's authority to operate the equipment.

NOTE: This equipment has been tested and found to comply with the limits for a Class B digital device, pursuant to Part 15 of the FCC Rules. These limits are designed to provide reasonable protection against harmful interference in a residential installation. This equipment generates, uses and can radiate radio frequency energy and, if not installed and used in accordance with the instructions, may cause harmful interference to radio communications.

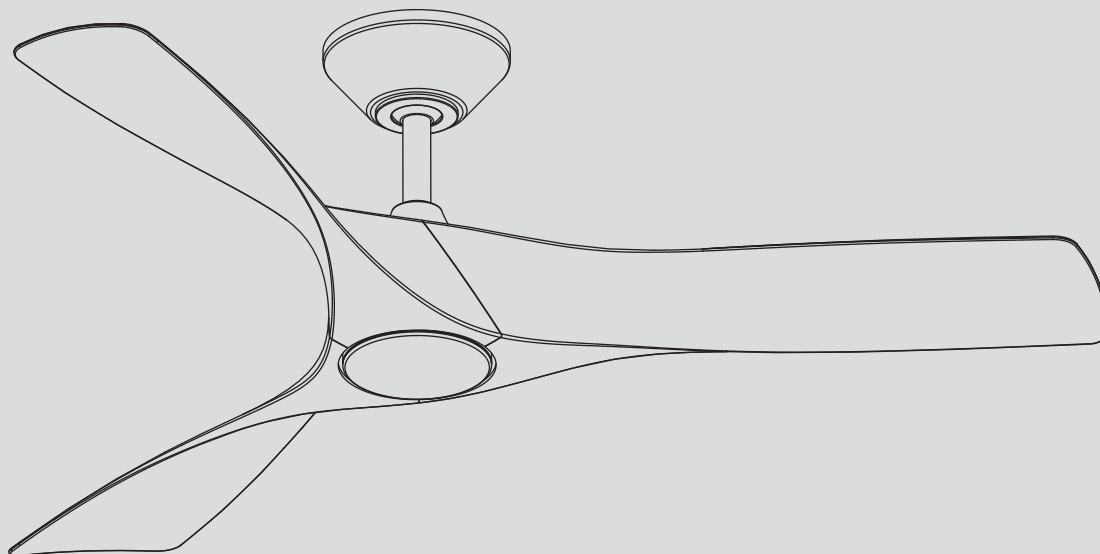
However, there is no guarantee that interference will not occur in a particular installation. If this equipment does cause harmful interference to radio or television reception, which can be determined by turning the equipment off and on, the user is encouraged to try to correct the interference by one or more of the following measures:

- Reorient or relocate the receiving antenna.
- Increase the separation between the equipment and receiver.
- Connect the equipment into an outlet on a circuit different from that to which the receiver is connected.
- Consult the dealer or an experienced radio/TV technician for help.

13. Specifications

©2020 Progress Lighting, Inc.
701 Millennium Blvd.,
Greenville, SC 29607
All Rights Reserved

Manuel d'installation du ventilateur de plafond



Garantie limitée à vie

Progress Lighting garantit à l'acheteur initial que les moteurs de ventilateur sont exempts de défauts électriques ou mécaniques tant que l'acheteur initial est propriétaire du ventilateur. Les interrupteurs à chaînette, les interrupteurs inverseurs, les condensateurs et les finis métalliques sont garantis contre les défauts de matériaux ou de fabrication pendant une période d'un an à partir de la date d'achat. Le gauchissement des pales de bois ou de plastique n'est pas couvert par la présente garantie, ni la corrosion ou la détérioration du fini des ventilateurs installés à moins de dix milles d'un bord de mer. Les garanties prolongées pour les produits homologués ENERGY STAR® peuvent s'appliquer.

Lorsqu'ils sont installés correctement et dans des conditions d'utilisation normales, les ventilateurs de plafond Progress Lighting dotés d'une source lumineuse à DEL intégrée sont garantis contre les défauts de matériaux et de fabrication causant le non fonctionnement de la source lumineuse selon les spécifications pendant (i) cinq (5) ans à partir de la date d'achat des modules d'éclairage à DEL et des composants électriques des ventilateurs pour les résidences unifamiliales et (ii) trois (3) ans à partir de la date d'achat des modules d'éclairage à DEL et des composants électriques des ventilateurs pour les résidences multifamiliales et pour les utilisations commerciales. Les ampoules à DEL fournies par Progress Lighting ne sont assorties d'aucune autre garantie que celle du fabricant. Les ampoules autres qu'à DEL ne sont assorties d'aucune garantie.

En fournissant la preuve d'achat, l'acheteur initial peut retourner le ventilateur défectueux à son lieu d'achat pendant les 30 premiers jours afin qu'il soit remplacé. Après 30 jours, l'acheteur initial DOIT communiquer avec Progress Lighting au 864 678-1000 pour la réparation ou le remplacement du ventilateur, ce qui sera déterminé exclusivement par Progress Lighting et constituera le seul et unique recours de l'acheteur.

Main-d'œuvre et expédition exclus. La présente garantie ne couvre par les coûts et les frais associés à la main-d'œuvre (y compris, sans s'y limiter, les frais d'électricien) nécessaires à l'installation, au retrait ou au remplacement du ventilateur ou des pièces du ventilateur.

La présente garantie ne s'applique pas en cas de perte ou de dommage découlant (i) de l'usure normale, de l'altération ou d'un usage incorrect, abusif ou négligent ou (ii) d'une installation, d'une utilisation, d'une réparation ou d'un entretien inadéquats par l'acheteur initial ou un tiers, y compris, sans s'y limiter, une tension électrique inadéquate ou une surtension, l'utilisation de pièces ou d'accessoires inadéquats, une réparation non autorisée (effectuée ou tentée) ou l'omission d'entretenir le ventilateur.

LES GARANTIES QUI PRÉCÈDENT ÉNONCENT L'ENTIÈRE RESPONSABILITÉ DE PROGRESS LIGHTING AU CHAPITRE DE LA GARANTIE AINSI QUE LE SEUL ET UNIQUE RECOURS DE L'ACHETEUR LIÉ À CES PRODUITS. PROGRESS LIGHTING N'EST PAS RESPONSABLE DES DOMMAGES (Y COMPRIS LES DOMMAGES INDIRECTS, SPÉCIAUX, ACCESSOIRES OU CONSÉCUTIFS) ATTRIBUABLES À LA DÉFECTUOSITÉ DU PRODUIT, QU'ILS SOIENT LIÉS À UNE VIOLATION DE LA GARANTIE, UNE VIOLATION DU CONTRAT OU AUTRE. LA PRÉSENTE GARANTIE REMPLACE TOUTE AUTRE GARANTIE, EXPRESSE OU IMPLICITE, Y COMPRIS TOUTE GARANTIE DE QUALITÉ MARCHANDE, D'UTILITÉ À UNE FIN PARTICULIÈRE OU D'ABSENCE DE CONTREFAÇON.

Certains États ne permettent pas de limitation à la durée implicite d'une garantie ou d'exclusion ou de limitation des dommages accessoires ou consécutifs. Par conséquent, les limitations ci-dessus pourraient ne pas s'appliquer à vous. La présente garantie vous accorde des droits précis et vous pourriez avoir d'autres droits qui peuvent varier d'un État à l'autre.

Date d'achat _____

Magasin _____

N° de modèle. _____

N° de série . _____

N° du fournisseur _____ 126751

785247245420

785247245437

UPC 785247245444



Règles de sécurité.....	1
Déballage de votre ventilateur	2
Installation de votre ventilateur	3
Installation de l'ensemble d'éclairage.....	8
Utilisation de votre émetteur	9
Entretien de votre ventilateur	11
Dépannage	12
Caractéristiques techniques	13

Table des matières

1. Afin de réduire les risques de choc électrique, vous assurer que l'électricité a été coupée au disjoncteur ou à la boîte à fusibles avant de commencer.
2. Tout le câblage doit être conforme aux codes de l'électricité national et local. L'installation électrique doit être effectuée par un électricien agréé qualifié.
3. **AVERTISSEMENT:** Afin de réduire les risques de choc électrique et d'incendie, ne pas utiliser ce ventilateur avec un dispositif de contrôle de la vitesse à semi-conducteur.
4. **AVERTISSEMENT:** Afin de réduire les risques d'incendie, de choc électrique ou de blessure, installer à une boîte de sortie indiquée « Acceptable pour support de ventilateur de 15,9 kg (35 lb) ou moins » et utiliser les vis de montage fournies avec la boîte de sortie. La plupart des boîtes de sortie couramment utilisées pour le support de luminaires ne sont pas acceptables pour le support d'un ventilateur et doivent être remplacées. Compte tenu de la complexité de l'installation de ce ventilateur, il est fortement recommandé de faire appel à un électricien agréé qualifié.

AVERTISSEMENT

AFIN DE RÉDUIRE LES RISQUES D'INCENDIE, DE CHOC ÉLECTRIQUE OU DE BLESSURE, INSTALLER À UNE BOÎTE DE SORTIE INDIQUÉE « ACCEPTABLE POUR SUPPORT DE VENTILATEUR.

5. La boîte de sortie et la structure de support doivent être solidement installées et en mesure de supporter de manière fiable un poids de 15,9 kg (35 lb) ou moins.
6. Le ventilateur doit être installé en prévoyant un dégagement minimal de 2,1 m (7 pi) entre le bord de fuite des pales et le plancher.
7. Pour utiliser la fonction d'inversion du sens de rotation de ce ventilateur, appuyer sur le bouton d'inversion pendant que le ventilateur fonctionne.
8. Éviter de placer des objets dans la trajectoire des pales.

9. Pour éviter les blessures ou les dommages au ventilateur ou à d'autres articles, faire preuve de prudence lorsque vous travaillez à proximité du ventilateur ou que vous le nettoyez.
10. Ne pas utiliser d'eau ou de détergent lorsque vous nettoyez le ventilateur ou les pales du ventilateur. Un linge sec ou légèrement humide convient la plupart du temps.
11. Une fois les branchements électriques réalisés, les conducteurs épissés doivent être tournés vers le haut et poussés délicatement dans la boîte de sortie. Les fils doivent être séparés et le conducteur mis à la terre ainsi que le conducteur de mise à la terre de l'équipement doivent être placés d'un côté de la boîte de sortie.
12. Les schémas électriques sont à titre de référence uniquement. Les ensembles d'éclairage qui ne sont pas emballés avec le ventilateur doivent être homologués cUL et porter une marque qui indique qu'ils conviennent pour le modèle de ventilateur que vous installez. Les interrupteurs doivent être homologués cUL pour usage général. Vous reporter aux instructions qui accompagnent les ensembles d'éclairage

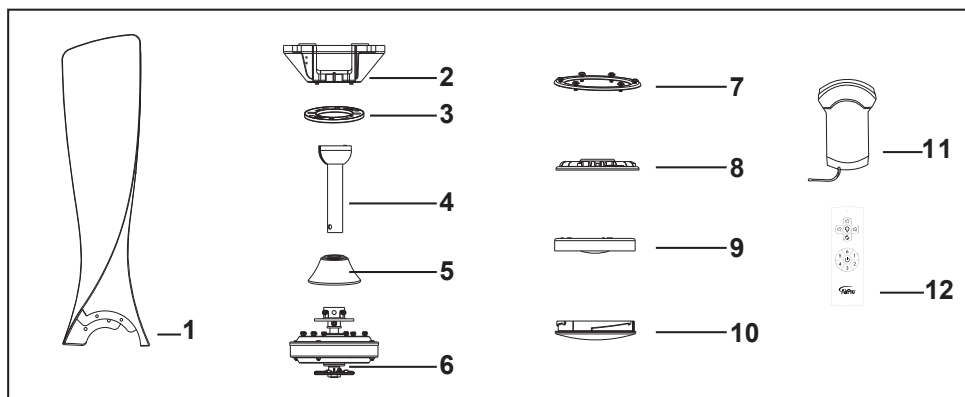
AVERTISSEMENT

AFIN DE RÉDUIRE LE RISQUE DE BLESSURE, NE PAS PLIER LES BRAS DES PALES (AUSSI APPELÉS SUPPORTS) PENDANT OU APRÈS L'INSTALLATION. NE PAS INSÉRER D'OBJETS DANS LA TRAJECTOIRE DES PALES.

REMARQUE

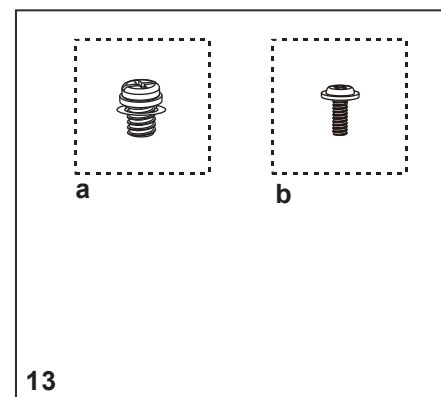
LIRE ET CONSERVER TOUTES LES INSTRUCTIONS!

1. Règles de sécurité



Déballiez votre ventilateur et vérifiez le contenu. Vous devriez avoir les articles suivants:

- | | |
|-----------------------------------|--|
| 1. Pales du ventilateur (3) | 7. Volant |
| 2. Pavillon et support de montage | 8. Plaque de montage |
| 3. Couvercle du pavillon | 9. Ensemble d'éclairage à DEL |
| 4. Ensemble tige/boule | 10. Diffuser |
| 5. Couvercle du collet | 11. Récepteur et 9 capuchon de connexion |
| 6. Moteur du ventilateur | 12. Télécommande |



Déballage de votre ventilateur 2.

Outils requis

Tournevis cruciforme, tournevis à pointe plate, clé réglable, escabeau et pince coupe-fils.

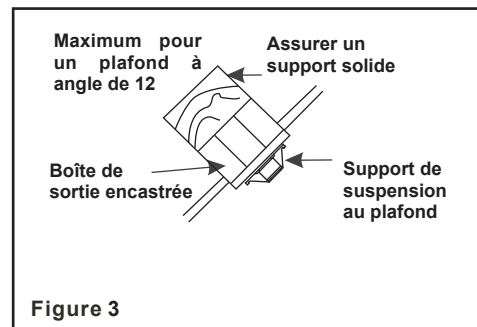
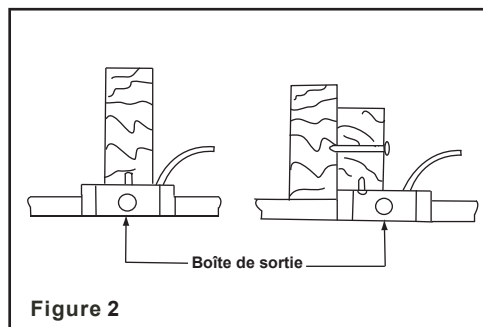
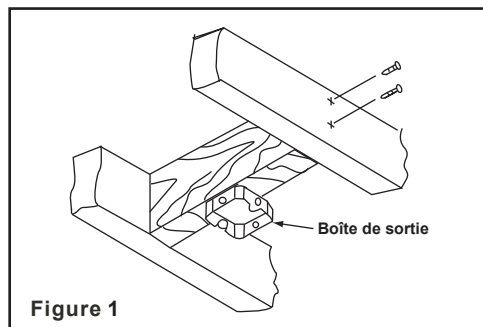
Options de montage

S'il n'y a pas de boîte de montage homologuée CUL en place, lisez les instructions suivantes. Coupez l'alimentation en retirant les fusibles ou en fermant le disjoncteur.

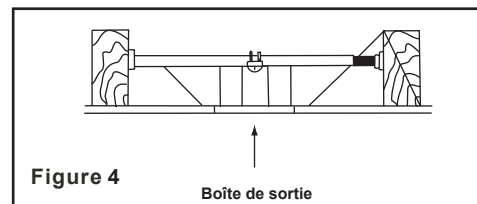
Fixez la boîte de sortie directement sur la structure de la bâtisse. Utilisez des attaches et des matériaux de construction appropriés. La boîte de sortie et son support doivent pouvoir bien supporter le poids du ventilateur en mouvement (au moins 35 lb). N'utilisez pas de boîte de sortie en plastique.

ADVERTISSEMENT

AFIN DE RÉDUIRE LES RISQUES D'INCENDIE, DE CHOC ÉLECTRIQUE OU DE BLESSURE, INSTALLER LE VENTILATEUR SEULEMENT À UNE BOÎTE DE SORTIE INDIQUÉE « ACCEPTABLE POUR SUPPORT DE VENTILATEUR » ET UTILISER LES VIS DE MONTAGE FOURNIES AVEC LA BOÎTE DE SORTIE. LA PLUPART DES BOÎTES DE SORTIE COURAMMENT UTILISÉES POUR LE SUPPORT DE LUMINAIRES NE SONT PAS ACCEPTABLES POUR LE SUPPORT D'UN VENTILATEUR ET DOIVENT ÊTRE REMPLACÉES. DANS LE DOUTE, CONSULTER UN ÉLECTRICIEN AGRÉÉ QUALIFIÉ.



Remarque : En cas d'installation contre un plafond très incliné, vous pourriez avoir besoin d'une tige plus longue pour maintenir le dégagement adéquat



Pour installer votre ventilateur dans un boîtier existant, mais sans solive de plafond, vous pourriez avoir besoin d'une barre d'installation, comme illustré à la Figure 4 (en vente chez votre détaillant Progress Lighting).

3. Installation de votre ventilateur

Suspension du ventilateur

N'OUBLIEZ PAS de couper l'alimentation électrique. Suivez les étapes ci-dessous pour suspendre correctement votre ventilateur :

Étape 1. Enlevez le support de fixation du pavillon en retirant l'une des vis du dessous du support de fixation et en desserrant l'autre vis d'un demi-tour. Ensuite, tournez le pavillon dans le sens antihoraire pour retirer le support de fixation du pavillon. (Fig. 5)

Étape 2. Passez les fils de 120 volts dans le trou du centre du support de suspension au plafond, comme montré à la Fig. 6.

Étape 3. À l'aide des vis et rondelles fournies avec votre boîte de sortie, fixez le support de suspension à la boîte de sortie du plafond.

Étape 4. Retirez la cheville de suspension, l'ergot d'arrêt et les vis de serrage du dessus de l'ensemble du moteur. (Fig. 7)

Étape 5. Faites passer le fil de sécurité qui émerge du dessus du moteur à travers le couvercle du collet, le couvercle du pavillon, le pavillon, puis à travers la boule/tige. (Fig. 7)

Étape 6. Alignez les trous dans le bas de la tige avec les trous dans le collet sur le dessus du boîtier du moteur (Fig. 7). Insérez délicatement la cheville de suspension à

the hanger pin through the holes in the collar and downrod. Be careful not to jam the pin against the wiring inside the downrod. Insert the locking pin through the hole near the end of the hanger pin until it snaps into its locked position, as noted in the circle inset of Fig. 7.

AVERTISSEMENT
UNE MAUVAISE INSTALLATION DE L'ERGOT D'ARRÊT COMME INDIQUÉ À L'ÉTAPE 6 PEUT ENTRAÎNER LE DESSERREMENT, ET POSSIBLEMENT LA CHUTE, DU VENTILATEUR.

Étape 7. Serrez fermement deux vis de serrage sur le dessus du moteur du ventilateur. (Fig. 7)

Étape 8. Placez la boule de la tige dans l'emboîture du support de suspension.

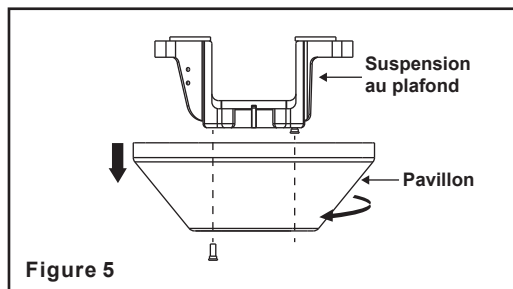


Figure 5

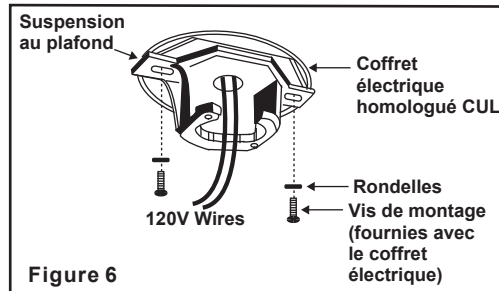


Figure 6

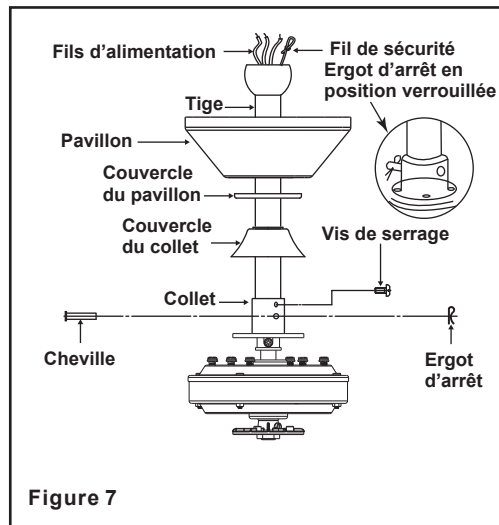


Figure 7

RACCORDEMENTS ELECTRIQUE

AVERTISSEMENT: Pour éviter tout risque d'électrocution, assurez-vous que le courant a été coupé sur le tableau électrique principal avant de procéder au câblage.

Étape 1: (Fig 8) Insérez l'appareil récepteur dans l'attache de suspension, côté plat du récepteur face au plafond.

Étape 2: (Fig 9) Connexions électriques du moteur au récepteur: Connectez le fil Rouge du ventilateur au fil Rouge. Connectez le fil Jaune du ventilateur au fil Jaune. Connectez le fil Gris du ventilateur au fil Gris. Connectez le fil Blanc du ventilateur au fil Blanc marqué "FOR LIGHT" du récepteur. Connectez le fil Bleu du ventilateur au fil Bleu marqué "FOR LIGHT" du récepteur. Serrez les raccordements des fils avec les écrous en plastiques fournis.

Remarque: convertissez votre ventilateur en WIFI en ajoutant un module WIFI P2673-01.

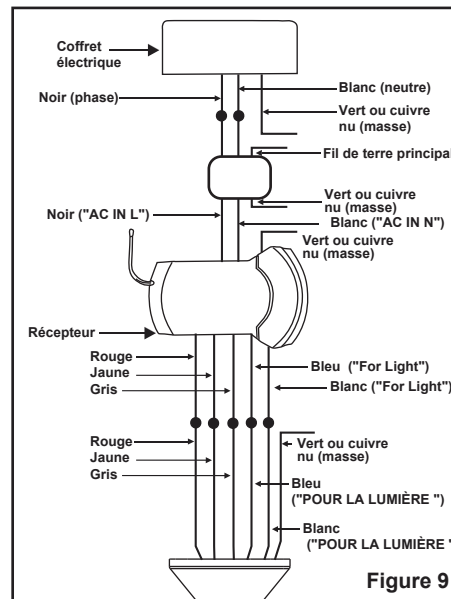
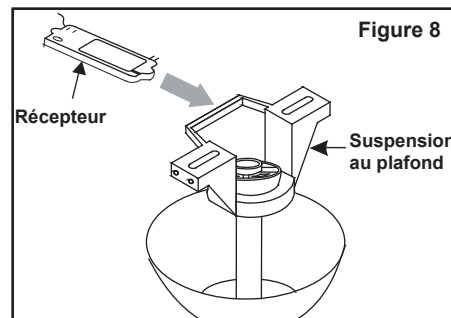
5.

Étape 3: (Fig 9) Récepteur aux raccordements électriques des fils de la maison; branchez le fil noir (Hot) du boîtier de sortie au fil noir du récepteur identifié "AC in L".

Branchez le fil blanc (neutral) du boîtier de sortie au fil blanc du récepteur identifié "AC in N". Fixez tous les branchements à l'aide des marettes fournies.

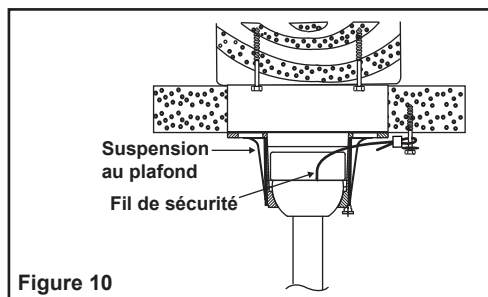
Step 4. (Fig. 9) Si votre boîte de prise de courant est équipée d'un fil de terre (vert ou cuivre nu), connectez-le au fil de terre principal du récepteur, puis connectez ensemble les autres fils de terre du récepteur et le fil de terre de boule suspendue. Sinon, connectez le fil de terre du support de montage au fil de terre principal du récepteur, connectez ensemble les autres fils de terre du récepteur et le fil de terre de boule suspendue. Après avoir connecté les fils, écartez-les de manière à ce que les fils vert et blanc se trouvent d'un côté de la boîte de sortie et les fils noirs de l'autre côté. Rentrez soigneusement les connexions des fils dans la boîte de sortie.

REMARQUE: Le ventilateur doit être installé à une distance maximum de 6 mètres (20 pi) de l'appareil transmetteur pour une transmission du signal adéquate entre l'appareil émetteur et le récepteur du ventilateur.



INSTALLATION DU SUPPORT DE SÉCURITÉ

À l'aide d'une vis à bois (non incluse), fixez le fil de sécurité à la structure de la bâtisse. (Fig. 10)

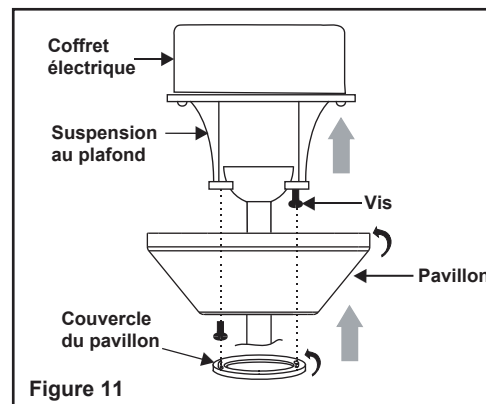


Achèvement de l'installation

Étape 1. Placez les branchements bien proprement dans la boîte de sortie du plafond.

Étape 2. Remontez le pavillon par-dessus le support de fixation et placez le trou de serrure dans le pavillon par-dessus la vis du support de fixation, puis tournez le pavillon jusqu'à ce qu'il s'insère en place dans la section étroite des trous de serrure. (Fig. 11)

Étape 3. Alignez le trou circulaire sur le pavillon avec le trou restant sur le support de fixation et fixez en serrant les deux vis de serrage. Remarque : Réglez les vis du pavillon au besoin jusqu'à ce que le pavillon et le couvercle du pavillon soient bien serrés.



AVERTISSEMENT

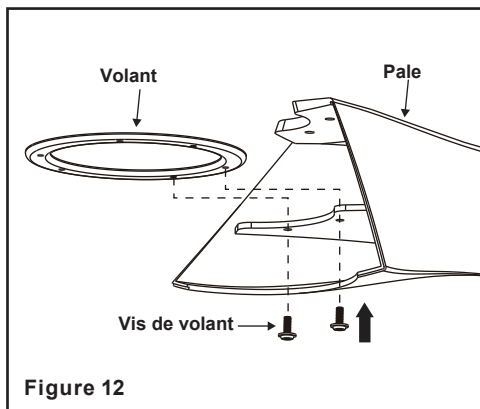
Vous assurer que l'entaille dans le support de suspension repose correctement dans la rainure de la boule avant de fixer le pavillon au support en tournant le boîtier jusqu'à ce qu'il s'insère en place.

FIXATION DES PALES DU VENTILATEUR

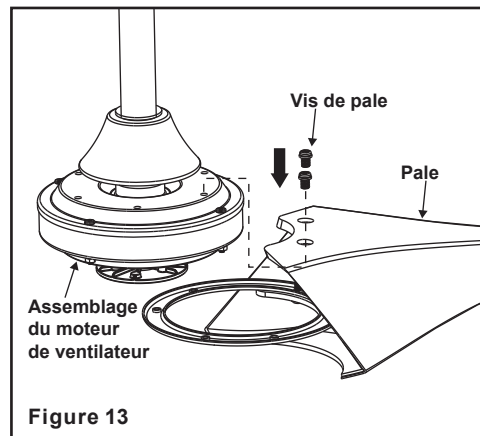
Étape 1, Retirez les six vis à lame du moteur du ventilateur.

Étape 2, Retirez les six vis du volant.

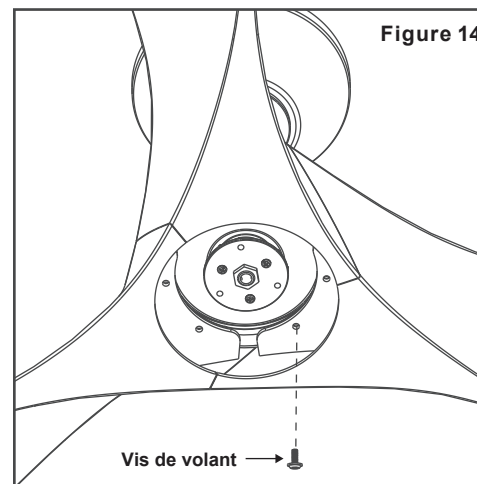
Étape 3, Joindre le la roue volante est l'une des trois pales par deux vis à roue volante. (Fig. 12)



Étape 4, Fixez la pale avec le volant sur le moteur du ventilateur en deux vis à lame. Fixez les autres pales au moteur du ventilateur. (Fig. 13)



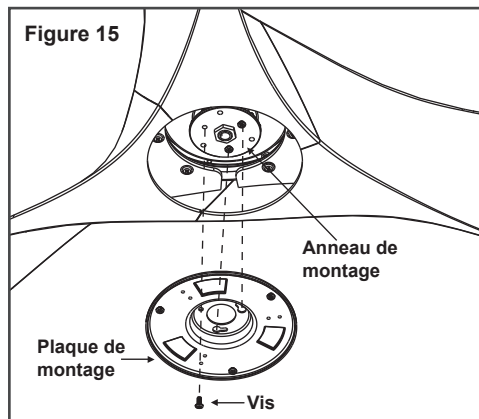
Étape 5, Réinstaller les quatre vis du volant au volant. (Fig. 14)



Installation de la plaque de montage

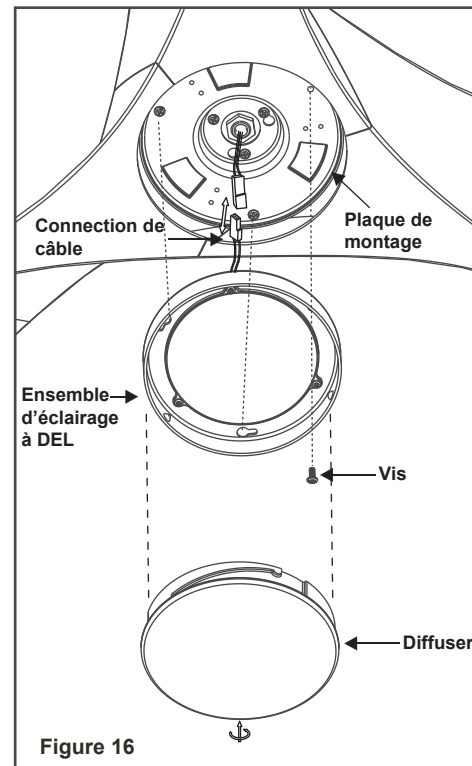
Étape 1. Retirez l'une des trois vis de l'anneau de montage et desserrez les deux autres vis. (Ne pas les retirer)

Étape 2. Placez les trous de serrure de la plaque de montage au-dessus des deux vis de l'anneau de montage préalablement desserrées, tournez la plaque de montage jusqu'à ce qu'elle se verrouille en place dans la section étroite des trous de serrure. Fixez en serrant les deux vis préalablement desserrées et en insérant puis serrant la vis qui avait été retirée. (Fig. 15)



ATTENTION: Avant de commencer l'installation, coupez l'alimentation électrique en plaçant le disjoncteur en position Arrêt ou en retirant le fusible de la boîte à fusibles. La mise hors tension à l'aide de l'interrupteur du ventilateur ne suffit pas à prévenir les chocs électriques.

1. Retirez les deux vis de la plaque de montage.
2. En tenant l'ensemble d'éclairage à DEL sous le moteur du ventilateur, branchez les connecteurs à deux broches :
 - Blanc avec blanc
 - Bleu avec bleu
3. Placez trous de clés au kit plaque de lumière sur les 2 vis desserrées précédemment de la plaque de montage, tournez kit plaque de lumière jusqu'à ce qu'il se bloque en place au setion étroite des trous de clé. Faites en sécurité en serrant les 2 vis précédemment desserrées et celui précédemment retirée. (Fig. 16)
4. Soulever l'abat-jour de diffuser contre la plaque de montage et le fixer au ventilateur en tournant le globe dans le sens horaire jusqu'à ce qu'il soit engagé. **NE PAS TROP SERRER.** (Fig. 16)



Installation de l'ensemble d'éclairage 8.

INSTALLATION DE LA PILE

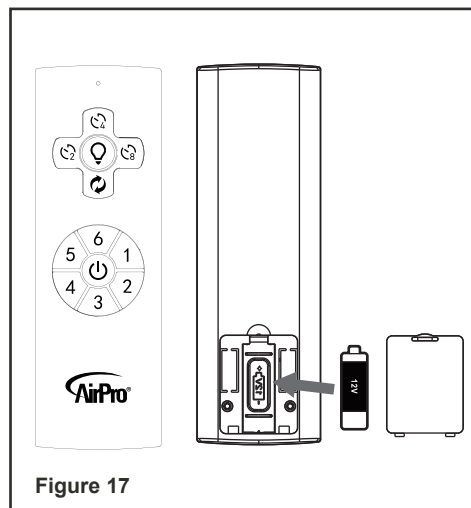
Installez la batterie de 12 volts dans l'émetteur portable, comme illustré dans la (Fig.17).

PROCESSUS D'APPRENTISSAGE

Remarque : Après avoir rallumé l'alimentation CA, n'appuyez pas sur tout autre bouton de la télécommande avant d'appuyer sur le bouton "⏻". Si non, cela entraînera l'échec du programme d'apprentissage et vous devrez éteindre à nouveau l'alimentation du ventilateur pour recommencer.

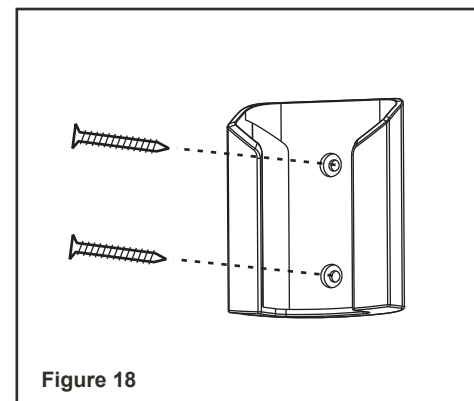
Redémarrez l'alimentation principale vers le ventilateur et maintenez le bouton "⏻" sur la télécommande pendant 5 secondes en 30 secondes pour synchroniser l'émetteur avec le ventilateur.

Une fois que le ventilateur détecte la télécommande, la lumière sur le ventilateur clignote deux fois, indiquant que votre ventilateur est maintenant disponible.



INSTALLATION DU SUPPORT DE LA TÉLÉCOMMANDE

Attachez le support de la télécommande avec deux vis de montage du support de la télécommandes (Fig. 18).



9. Utilisation de votre émetteur

Restituer le courant au ventilateur de plafond et faire des tests pour en vérifier le bon fonctionnement.

A. Boutons "1,2,3,4,5,6"

Ces trois boutons sont utilisés pour régler les vitesses du ventilateur de la manière suivante:

1 = Vitesse bas 2 = Vitesse Moyenne et basse
3 = Vitesse moyen 4 = Vitesse altitude moyenne
5 = Vitesse haut 6 = Trop haut

B. Bouton "🛑"

Ce bouton éteint le ventilateur.

C. Bouton "💡"

Le bouton "💡" allume ou éteint la lumière et contrôle également la luminosité. Appuyer et relâcher le bouton pour allumer ou éteindre la lumière. Appuyer et maintenir le bouton enfoncé pour régler le niveau de luminosité désirée. La touche de la lumière résume automatiquement, le réglage de la luminosité demeurera à la même intensité que la dernière fois qu'il a été éteint.

D. Boutons "🕒 2 🕒 4 🕒 8"

Appuyez sur le bouton (🕒 2 🕒 4 🕒 8) pour éteindre automatiquement le ventilateur après 2, 4 ou 8 heures.

E. Bouton "🔄"

Contrôler le sens de fonctionnement de ventilateur.

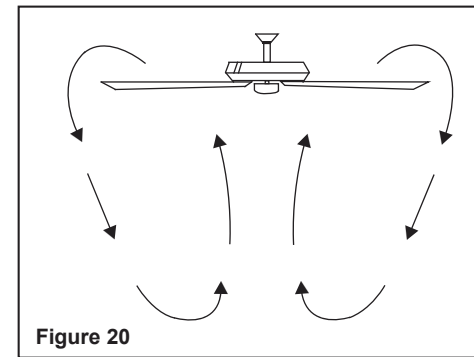
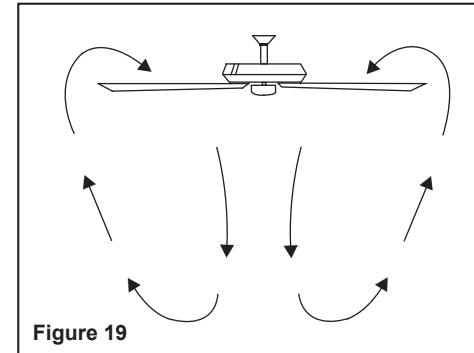
ATTENTION: Pour utiliser la fonction d'inverser sur ce ventilateur, appuyer sur le bouton de fonction inverser lorsque le ventilateur est en marche.

Les réglages de vitesse pour les températures chaudes et froides dépendent de plusieurs facteurs tels que la taille de la pièce, la hauteur du plafond, le nombre de ventilateurs, u asi sucesivamente.

REMARQUE: Attendre que le ventilateur se soit arrêté pour changer la position du commutateur glissant.

Températures chaudes - (vers l'avant) Un mouvement d'air vers le bas crée un effet refroidissant tel que démontré dans la Fig.19. Ceci vous permet de régler votre climatiseur à une température plus élevée sans toutefois affecter votre confort.

Températures froides - (vers l'arrière) Un mouvement d'air vers le haut fait bouger l'air chaud qui est situé près du plafond vers le bas tel que démontré dans la Fig.20. Ceci vous permet de régler votre système de chauffage à une température plus basse sans toutefois affecter votre confort.



Voici quelques suggestions pour vous aider à entretenir votre ventilateur

1. Le mouvement naturel du ventilateur peut provoquer le desserrement de quelques branchements. **Inspectez les branchements, les supports et les fixations des pales deux fois par année.** Assurez-vous qu'ils sont bien serrés et solides. **(Il n'est pas nécessaire de retirer le ventilateur du plafond.)**

2. Nettoyez régulièrement votre ventilateur pour préserver son apparence neuve au fil des années. Pour éviter d'égratigner le fini, utilisez seulement une brosse douce ou un chiffon non pelucheux. Le placage est scellé avec de la laque afin de minimiser la décoloration et le ternissement. Ne pas utiliser d'eau lorsque vous nettoyez le ventilateur. Vous pourriez

ainsi endommager le moteur ou le bois, et possiblement causer un choc électrique.

3. Vous pouvez appliquer une mince couche de cire pour meubles sur les pales en bois pour leur donner un surcroît de protection et en rehausser la beauté. Couvrez les petites égratignures en appliquant une mince couche de cirage.

4. **Il n'est pas nécessaire de lubrifier votre ventilateur.** Le moteur est pourvu de roulements lubrifiés de façon permanente.

IMPORTANT
VOUS ASSURER QUE L'ALIMENTATION
EST COUPÉE AU PANNEAU ÉLECTRIQUE
AVANT DE TENTER DE FAIRE UNE
RÉPARATION. VOUS REPORTER À LA
SECTION « BRANCHEMENTS
ÉLECTRIQUES ».

11. Entretien de votre ventilateur

Problème

Solution

Le ventilateur ne démarre pas.

1. Vérifiez les fusibles ou les disjoncteurs du circuit.
2. Vérifiez les branchements des fils jusqu'au ventilateur ainsi que les branchements des fils de l'interrupteur dans le boîtier de l'interrupteur.
ATTENTION: Assurez-vous que l'alimentation principale est coupée.

Le ventilateur fait du bruit.

1. Assurez-vous que toutes les vis du boîtier du moteur sont bien serrées.
2. Assurez-vous que les vis qui fixent les supports des pales du ventilateur au moteur sont bien serrées.
3. Assurez-vous que les capuchons de connexion ne se frottent pas les uns contre les autres ou contre les parois du boîtier de l'interrupteur.
ATTENTION: Assurez-vous que l'alimentation principale est coupée.
4. Prévoyez une période de « rodage » de 24 h. La plupart des bruits associés à un ventilateur neuf disparaissent pendant cette période.
5. Si vous utilisez un ensemble d'éclairage facultatif, assurez-vous que les vis qui retiennent les pièces en verre sont bien serrées.
Vérifiez également si l'ampoule est bien vissée.
6. Assurez-vous que le pavillon supérieur se trouve à courte distance du plafond. Il ne doit pas toucher le plafond.

Mauvais fonctionnement de la télécommande

1. Ne reliez pas le ventilateur à un ou des variateurs de vitesse fixé(s) au mur.
2. Refaire le processus d'apprentissage.

Dépannage 12.

Taille du ventilateur	Vitesse	Volts	Ampères	Watts	Tr/min	PCM	P.N.	P.B.	P.C.
52 po (132 cm)	Basse	120	0.08	2.54	61	2045.47	12.76 lb	15.75 lb	2,68 pi
	Élevé	120	0.50	33.11	167	5802.48			

Ces valeurs sont approchées. Elles ne comprennent pas les intensités de courant et les puissances utilisées par le kit de lampe.

Cet appareil est conforme à la section 15 de la réglementation de la FCC. Son fonctionnement est soumis aux deux conditions suivantes: (1) Cet appareil ne doit pas causer d'interférences nuisibles et (2) cet appareil doit accepter toutes les interférences reçues, y compris celles pouvant entraîner un fonctionnement indésirable.

Avertissement: toute modification apportée à cet appareil non expressément approuvée par la partie responsable de la conformité pourrait annuler l'autorité de l'utilisateur à utiliser l'équipement.

REMARQUE: Cet équipement a été testé et déclaré conforme aux limites imposées aux appareils numériques de classe B, définies à la section 15 du règlement de la FCC. Ces limites sont conçues pour fournir une protection raisonnable contre les interférences nuisibles dans une installation résidentielle. Cet équipement génère, utilise et peut émettre de l'énergie de fréquence radio. S'il n'est pas installé et utilisé conformément aux instructions, il peut causer des interférences nuisibles aux communications radio.

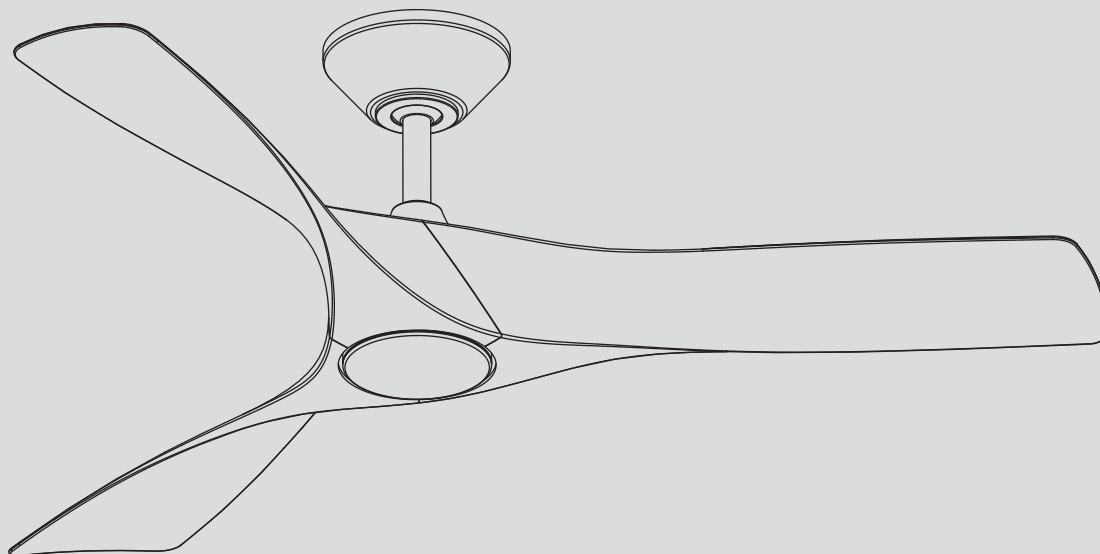
Cependant, rien ne garantit que des interférences ne se produiront pas dans une installation particulière. Si cet équipement provoque des interférences nuisibles avec la réception de radio ou de télévision, ce qui peut être déterminé en éteignant et en rallumant l'équipement, l'utilisateur est invité à tenter de corriger l'interférence en appliquant l'une ou plusieurs des mesures suivantes:

- Réorientez ou déplacez l'antenne de réception.
- Augmentez la distance entre l'équipement et le récepteur.
- Connectez l'équipement à une prise d'un circuit différent de celui auquel le récepteur est connecté.
- Consultez votre revendeur ou un technicien radio / TV expérimenté pour obtenir de l'aide.

©2018 Progress Lighting, Inc.
701 Millennium Blvd.,
Greenville, SC 29607
All Rights Reserved

13. Caractéristiques techniques

Manual de Instalación del Ventilador de Techo



Garantía limitada de por vida

Se garantiza al comprador original que los motores de los ventiladores de Progress Lighting no presentan defectos mecánicos o eléctricos por el tiempo durante el cual el comprador original sea dueño del ventilador. Los interruptores de cadena, interruptores de reversa, capacitores y acabados de metal cuentan con garantía libre de defectos de materiales o mano de obra por 1 año a partir de la fecha de compra. La deformación de las aspas de plástico o madera no está cubierta por esta garantía, así como tampoco la corrosión y/o el deterioro de los acabados en el caso de los ventiladores instalados dentro de un radio de 10 millas (16 km) de la costa del mar. Pueden corresponder garantías extendidas para los productos que cumplen con los requisitos de ENERGY STAR®.

Los ventiladores de techo Progress Lighting con fuentes de iluminación LED incorporadas, cuando se los instala debidamente y bajo condiciones de uso normales, están garantizados como libres de defectos de materiales y mano de obra que hacen que las fuentes de iluminación dejen de funcionar de acuerdo con las especificaciones durante (i) cinco (5) años a partir de la fecha de compra para los módulos de luces LED y los componentes eléctricos para los ventiladores utilizados en residencias unifamiliares, y (ii) tres (3) años a partir de la fecha de compra para los módulos de luces LED y los componentes eléctricos para los ventiladores utilizados en aplicaciones comerciales o multifamiliares. Los focos LED suministrados por Progress Lighting no cuentan con garantía más allá de la garantía del fabricante. Los focos que no son LED no cuentan con garantía.

Con comprobante de compra, el comprador original podrá devolver el ventilador defectuoso al lugar de compra, durante los primeros 30 días, para su reemplazo. Pasados los 30 días, el comprador original DEBE contactarse con Progress Lighting al (864) 678-1000 para la reparación o el reemplazo, que se determinará a criterio exclusivo de Progress Lighting y será la compensación única y exclusiva del comprador.

Se excluye la mano de obra y el envío. Esta garantía no cubre los costos o cargos asociados con la mano de obra (incluidos, entre otros, los honorarios del electricista) necesaria para instalar, quitar o reemplazar el ventilador o cualquiera de sus partes.

Esta garantía no se aplicará a ninguna pérdida o daño que resulte del (i) uso y desgaste normales o de una alteración, uso indebido o descuido, o de la (ii) instalación, operación, reparación o mantenimiento inadecuados por parte del comprador original o de un tercero, incluidos, entre otros, suministro de voltaje inadecuado o sobrecarga eléctrica, uso de piezas o accesorios inadecuados, reparación no autorizada (realizada o que se intentó realizar) o falta de mantenimiento al ventilador.

LAS GARANTÍAS PRECEDENTES ESTABLECEN LA OBLIGACIÓN DE GARANTÍA COMPLETA DE PROGRESS LIGHTING Y LA COMPENSACIÓN ÚNICA Y EXCLUSIVA DEL COMPRADOR ORIGINAL EN RELACIÓN CON DICHS PRODUCTOS. PROGRESS LIGHTING NO ASUME RESPONSABILIDAD POR DAÑOS (INCLUIDOS INDIRECTOS, ESPECIALES, INCIDENTALES O EMERGENTES), DEBIDO A FALLAS DEL PRODUCTO, YA SEA QUE SURJAN DEL INCUMPLIMIENTO DE LA GARANTÍA, DEL INCUMPLIMIENTO CONTRACTUAL O DE OTRO MODO. ESTA GARANTÍA REEMPLAZA CUALQUIER OTRA GARANTÍA, YA SEA EXPRESA O IMPLÍCITA, INCLUSO AQUELLAS DE COMERCIABILIDAD, IDONEIDAD PARA UN FIN EN PARTICULAR O NO INCUMPLIMIENTO.

Algunos estados no permiten limitaciones sobre la duración de una garantía implícita o la exclusión de limitaciones de daños incidentales o emergentes, de modo que las limitaciones y exclusiones anteriores tal vez no se apliquen a su caso. La presente garantía le otorga derechos específicos y es posible que usted tenga otros derechos que varían según el estado.

Fecha de compra _____

Lugar de compra _____

N de modelo _____

N de serie _____

Numero de vendedor 126751

785247245420

785247245437

UPC 785247245444

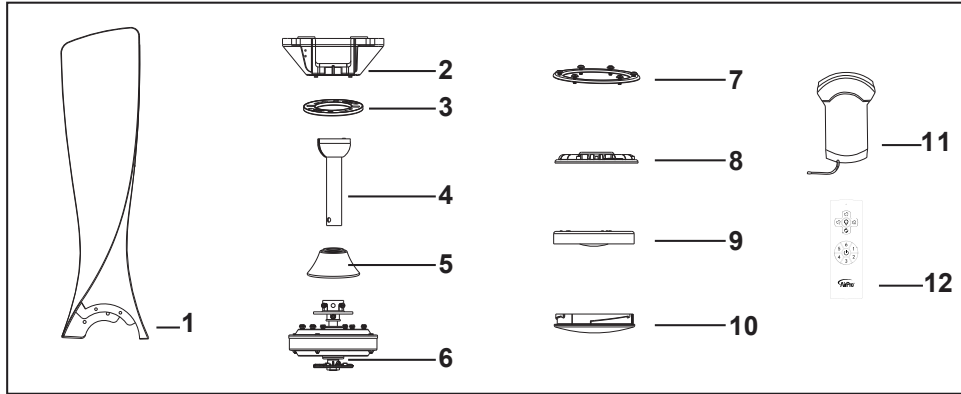


Normas de seguridad	1.
Cómo desembalar el ventilador	2.
Cómo instalar el ventilador	3.
Instalación del kit de luz	8.
Operando su transmisor.....	9.
Cómo cuidar del ventilador	11.
Resolución de problemas	12.
Especificaciones	13.

Tabla de Contenido

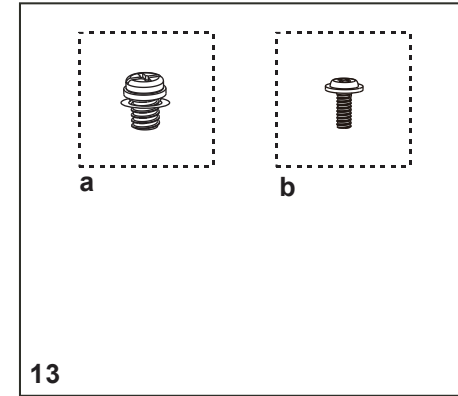
1. Para reducir el riesgo de electrocución, asegurarse de que la electricidad se ha desactivado en el cortacircuitos o caja de fusibles antes de comenzar.
 2. Todo cableado debe realizarse conforme al Código Electrico Nacional y los códigos eléctricos locales. La instalación eléctrica debe ser realizada por un electricista registrado calificado.
 3. **ADVERTENCIA:** Para reducir el riesgo de una electrocución e incendio, no usar este ventilador con ningún dispositivo de control para control de la velocidad del ventilador.
 4. **ADVERTENCIA:** para reducir el riesgo de incendio, descarga eléctrica o lesión personal, monte a una caja de distribución marcada como "Aceptable para soporte de un ventilador de 15.9kg (35 lbs.) de peso o menos" y monte con los tornillos proporcionados con la caja de distribución. La mayoría de las cajas de conexión utilizadas para soportar artefactos de iluminación, no son aptas para colgar un ventilador y podría ser necesario cambiarlas. Debido a la complejidad de la instalación de este ventilador, se recomienda encarecidamente que la realice un electricista licenciado calificado.
- ADVERTENCIA**
 PARA REDUCIR EL RIESGO DE INCENDIO ELECTROCUCIÓN O LESIONES PERSONALES. MONTAR EL VENTILADOR EN UNA CAJA DE DISTRIBUCIÓN MARCADA COMO ACEPTABLE PARA SOPORTE DE VENTILADORES.
5. La caja de distribución y la estructura de soporte deben estar montados de manera segura y deben ser capaces de soportar, de manera confiable, un mínimo de 35 libras (15,9 kilogramos). Usar solamente cajas de distribución listadas por cUL, marcadas "**PARA SOPORTE DE VENTILADORES**".
 6. EL ventilador debe estar montado con un mínimo de 7 pies (2.1m) de espacio libre desde el borde posterior de las aspas hasta el piso.
 7. Invierta el ventilador con el motor encendido a cualquier velocidad.
 8. Evitar colocar objetos que interfiera el giro de las aspas.
 9. Para evitar lesiones personales o daños al ventilador y otros artículos, tener cuidado al trabajar cerca del ventilador o al limpiarlo.
 10. No usar agua o detergentes al limpiar el ventilador o las aspas del ventilador. Para la mayoría de los propósitos de limpieza, un paño seco o ligeramente humedecido será apropiado.
 11. Después de realizar las conexiones eléctricas, los conductores empalmados se deben voltear hacia arriba y se deben empujar con cuidado hacia dentro de la caja de distribución. Los cables deben estar separados, con el conductor a tierra y el conductor a tierra del equipo en un lado de la caja de distribución.
 12. Los diagramas eléctricos son para referencia únicamente. Los juegos de iluminación que no estén embalados con el ventilador deben estar Listados por cUL y marcados como apropiados para ser usados con el modelo de ventilador que se está instalando. Los interruptores deberán ser Interruptores para uso general cUL. Réfírase a las instrucciones embaladas con los juegos de iluminación e interruptores para obtener información sobre el montaje adecuado.
- ADVERTENCIA**
 PARA REDUCIR EL RIESGO DE LESIONES PERSONALES, NO DOBLAR LOS SOPORTES DE LAS ASPAS (TAMBIÉN LLAMADOS "REBORDES" DURANTE EL MONTAJE O DESPUÉS DE LA INSTALACIÓN NO INSERTAR OBJETOS EN LA TRAYECTORIA DE LAS ASPAS.
- NOTA**
 !LEER Y GUARDAR TODAS LAS INSTRUCCIONES!

1. Normas de seguridad



Unpack your fan and check the contents. You should have the following items:

- | | |
|--|-----------------------------------|
| 1. Juego de aspas (3) | 7. Volante |
| 2. Caja de techo y soporte de montaje | 8. Placa de montaje |
| 3. Tapa de la caja | 9. Kit de luces LED |
| 4. Conjunto de bola/tubo de suspensión | 10. Amplificador |
| 5. Voluta decorativa | 11. Receptor + 9 tuercas de cable |
| 6. Conjunto de motor del ventilador | 12. Control remoto |



13. Dos bolsas de piezas pequeñas:

- a. Piezas de fijación de las aspas**
1/4" x 12mm Tornillos (1)
- b. Piezas de fijación de las volante**
3/16" x 9mm Tornillos (1)

Cómo desembalar el ventilador 2.

Herramienta necesarias

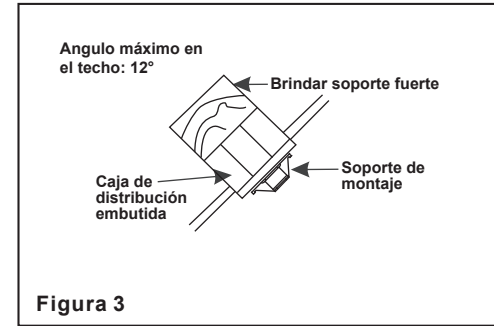
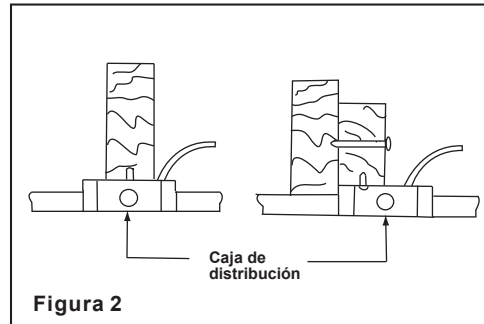
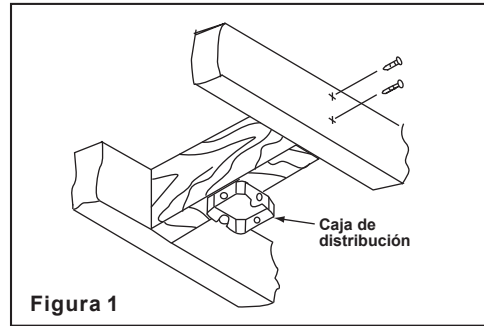
Destornillador Phillips, destornillador normal, llave de tuercas ajustable, escalera de tijera, y cortadoras de alambre.

Opciones de instalación

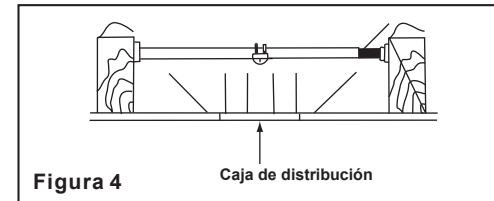
Si no hay una caja con cUL registración de montaje existente, sírvase leer las siguientes instrucciones. Desconectar el suministro de electricidad removiendo los fusibles o desactivando los cortacircuitos.

Asegurar la caja de distribución directamente a la estructura del edificio. Usar los sujetadores y materiales de construcción apropiados. La caja de distribución y su soporte deben ser capaces de soportar completamente el peso en movimiento del ventilador (al menos 35 libras o 15.9 kgs.) No usar cajas de distribución plásticas.

ADVERTENCIA
PARA REDUCIR EL RIESGO DE INCENDIO, ELECTROCUCIÓN O DAÑO PERSONAL, INSTALAR EL VENTILADOR A UNA CAJA DE DISTRIBUCIÓN MARCADA "ACEPTADA PARA SOPORTAR VENTILADOR" Y USAR LOS TORNILLOS DE MONTAJE SUMINISTRADOS CON LA CAJA DE DISTRIBUCIÓN



Nota: Ud. Puede necesitar una barra de extensión para mantener la distancia apropiada de las aspas cuando la instalación se efectúe en un techo inclinado.



Para colgar su ventilador donde ya existe una instalación pero no una viga de techo, es posible que se necesite una instalación de barra de suspensión como se muestra la Figura 4 (disponible en su distribuidor Progress Lighting).

3. Cómo instalar el ventilador

Colocación del ventilador

RECUERDE desconectar la alimentación. Siga estos pasos para colocar correctamente el ventilador:

Paso 1. Quite el soporte de montaje de la cubierta quitando 1 de los 2 tornillos de la parte inferior del soporte de montaje y aflojando el otro media vuelta desde la cabeza del tornillo. A continuación, gire la soporte de montaje en sentido contrahorario para quitar la cubierta. (Fig. 5)

Paso 2. Pase los hilos de 120 voltios a través del agujero central del soporte de suspensión del techo tal y cómo se muestra en la. (Fig. 6)

Paso 3. Fije el soporte de montaje a la caja del techo con los tornillos y arandelas suministradas en la caja.

Paso 4. Retire el pasador de suspensión, el pasador de bloqueo y el conjunto de tornillos y de la parte superior del ensamblaje del motor. (Fig. 7)

Paso 5. Guíe los cable de seguridad y cables que salen de la parte superior del motor del ventilador a través de la voluta decorativa, tapa de la cubierta, cubierta y luego a través de la bola/varilla. (Fig. 7)

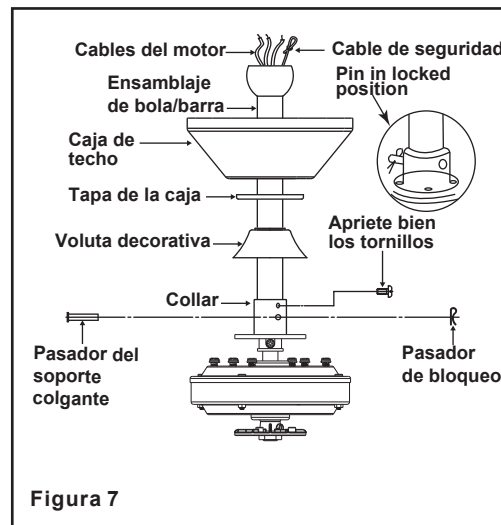
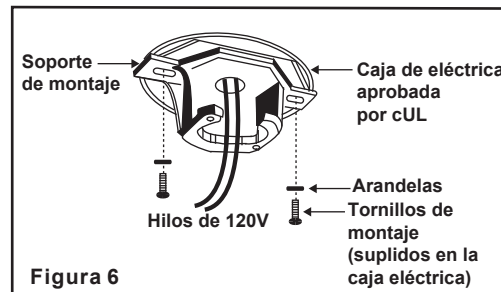
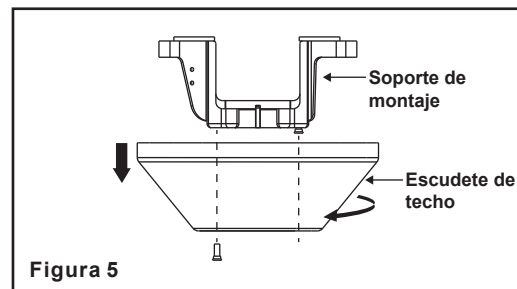
Paso 6. Alinee los agujeros de la parte inferior de la barra con los agujeros del cuello en la

parte superior de la caja del motor (Fig. 7) Introduzca con cuidado el pasador de suspensión a través de los agujeros del cuello y de la barra. Tenga cuidado de que el pasador no se atasque con los hilos de dentro de la barra. Introduzca el pasador de bloqueo a través del agujero cercano al extremo del pasador de suspensión hasta que quede en la posición de bloqueo, tal y cómo se especifica en el círculo de la Fig. 7.

ADVERTENCIA
SI NO INSTALA EL PASADOR
CORRECTAMENTE TAL Y COMO SE
ESPECIFICA EN EL PASO 6, EL
VENTILADOR PODRIA AFLOJARSE E
INCLUSO CAER.

Paso 7. Apriete bien los dos tornillos de la parte superior del motor. (Fig. 7)

Paso 8. Coloque la bola de la barra en la ranura del soporte de suspensión.



Realizar las Conexiones Eléctricas

CUIDADO: Para evitar la posibilidad de un choque eléctrico, asegúrese de apagar la corriente eléctrica desde el circuito central.

Paso 1. (Fig. 8) Instale el receptor en la abrazadera de montaje, el lado plano debe quedar hacia arriba.

Paso 2. (Fig. 9) Conexiones del Motor al Receptor: Conecte el alambre Rojo del ventilador al alambre Rojo del receptor. Conecte el alambre Amarillo del ventilador al alambre Amarillo del receptor. Conecte el alambre Gris del ventilador al alambre Gris del receptor. Conecte el alambre Blanco del ventilador al alambre Blanco marcado "For Light" del receptor. Conecte el alambre Azul del ventilador al alambre Azul marcado "For Light" del receptor. Asegure las conexiones con los conectores de plástico provistos.

Nota: Convierta su ventilador a WIFI agregando un módulo WIFI P2673-01.

5.

Paso 3. (Fig. 13) Conexiones del receptor a los alambres de alimentación: Conecte el alambre Negro (corriente) de la caja de distribución al alambre Negro marcado AC in L del receptor. Conecte el alambre Blanco (Neutral) de la caja de salida al alambre blanco marcado AC in N del receptor. Asegure las conexiones con los conectores de plástico provistos.

Step 4. (Fig. 9) Si su caja de distribución tiene un hilo de puesta a tierra (verde o cobre desnudo), conéctelo al hilo principal de puesta a tierra del receptor, conecte otros hilos de puesta a tierra del receptor y hilo de puesta a tierra de la bola colgante juntos. De lo contrario, conecte el hilo de puesta a tierra del soporte de montaje al hilo principal de puesta a tierra del receptor, conecte otros hilos de puesta a tierra del receptor y el hilo de puesta a tierra de la bola colgante juntos. Asegure la conexión de hilos con la tuerca de plástico provista. Después de conectar los hilos, sepárelos para que los hilos verde y blanco estén a un lado de la caja de distribución y los hilos negros estén a otro lado. Cuidadosamente meta las conexiones de hilos en la caja de distribución.

NOTA: La distancia máxima para una recepción apropiada entre el receptor del ventilador y el transmisor son 20 pies. Asegúrese que su ventilador sea instalado dentro de esta distancia.

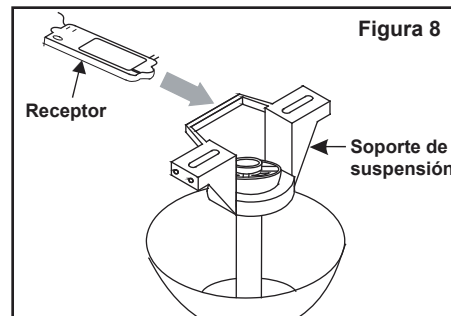


Figura 8

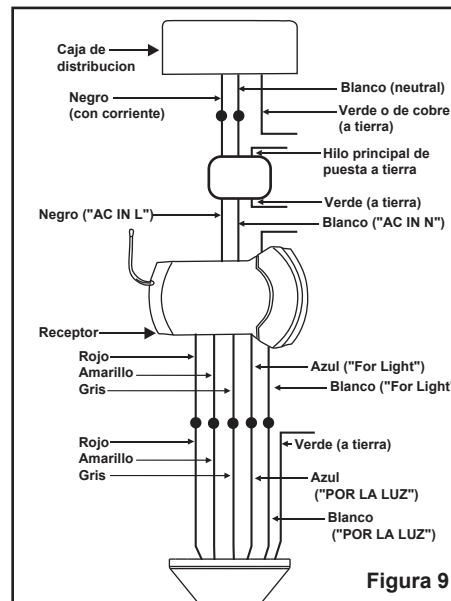
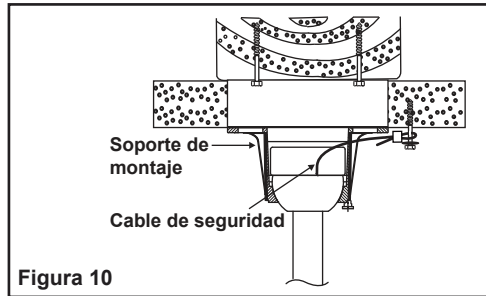


Figura 9

Instalación de soporte de seguridad

Asegure el cable de seguridad a la estructura del edificio con un tornillo para madera (no incluido).(Fig. 10)

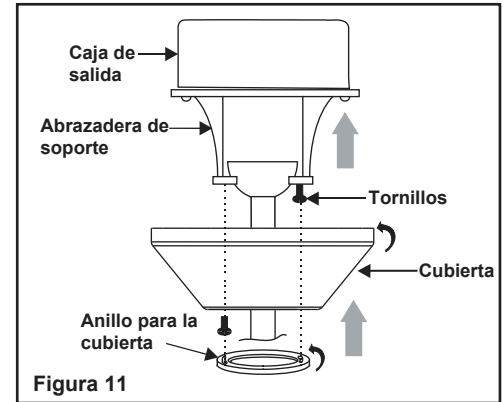


Terminando la Instalación

Paso 1. Meta las conexiones en forma ordenada adentro de la toma de corriente.

Paso 2. Deslice la cubierta hacia arriba hacia el soporte de montaje y coloque el agujero de posición de la cubierta sobre el tornillo del soporte de montaje, gire la cubierta hasta que quede encajada en su lugar en la sección estrecha de los agujeros de posición. (Fig.11)

Paso 3. Alinee el agujero circular de la cubierta con el agujero restante en el soporte de montaje, fíjelo apretando los dos juegos de tornillos. Nota: Ajuste los tornillos de la cubierta hasta que la cubierta y la tapa de la cubierta queden ajustadas.



ADVERTENCIA

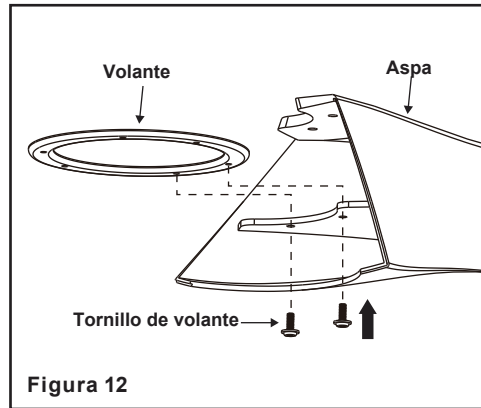
ASEGURARSE DE QUE LA LENGUETA LOCALIZADA EN LA PARTE INFERIOR DEL SOPORTE DE SUSPENSIÓN ESTÉ ASENTADA CORRECTAMENTE EN LA RANURA DE BOLA DE SUSPENSIÓN ANTES DE FIJAR EL ESCUDETE AL SOPORTE. EL NO AJUSTAR CORRECTAMENTE LA LENGUETA EN LA RANURA PODRÍA CAUSAR DAÑO AL CABLEADO ELÉCTRICO.

Instalación de las Aspas

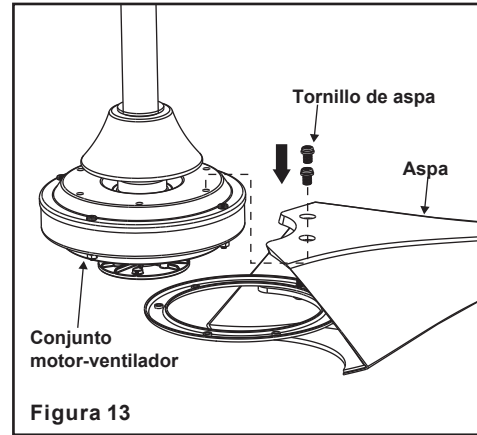
Paso 1. Retirar del conjunto motor-ventilador los seis tornillos de aspas con sus arandelas de resorte, metálicas y de goma.

Paso 2. Quitar del volante sus seis tornillos.

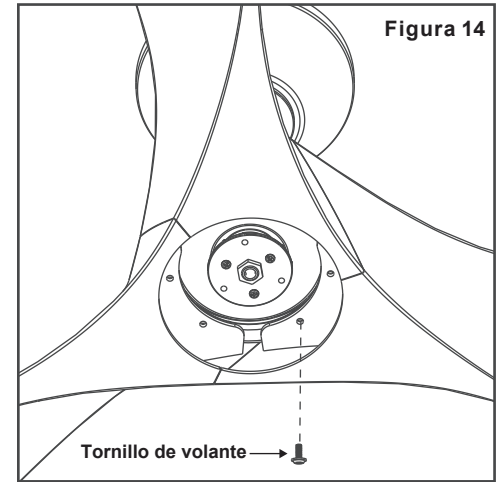
Paso 3. Fijar el volante a una de las tres aspas usando dos tornillos de aquel.(Fig. 12)



Paso 4. Fijar el asa con el volante al conjunto motor-ventilador usando dos tornillos de aspas con sus arandelas de resorte, dos arandelas metálicas y dos arandelas de goma. Fijar las demás aspas al conjunto motor-ventilador. (Fig. 13)



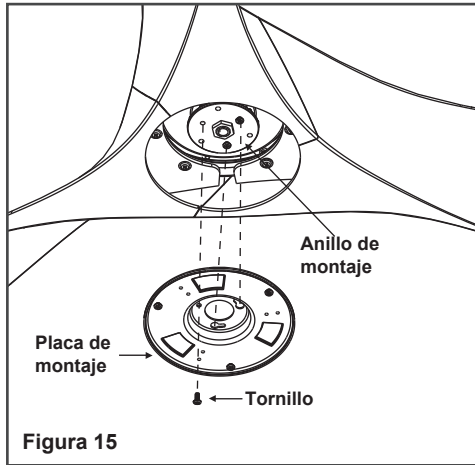
Paso 5. Volver a insertar los cuatro tornillos del volante en este. (Fig. 14)



Instalación de la Placa de Montaje

Paso 1. Quite 1 de los 3 tornillos del anillo de montaje y afloje los otros 2 tornillos. (No los quite)

Paso 2. Coloque los agujeros del plato de montaje en los 2 tornillos previamente aflojados del anillo de montaje, gire el plato de montaje hasta que quede fijo en su lugar en la parte estrecha de los agujeros. Asegúrela apretando los 2 tornillos aflojados y también el que quitó anteriormente. (Fig. 15)



NOTA: Antes de comenzar con la instalación, desconecte la alimentación apagando el circuito del automático o quitando el fusible de la caja de fusibles. Para evitar descargas eléctricas, no basta con apagar la alimentación utilizando el interruptor del ventilador.

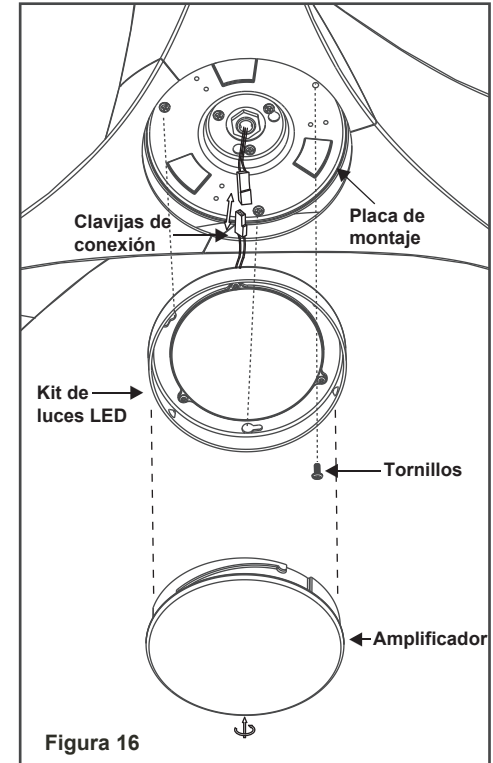
1. Quite 1 de los 3 tornillos del placa de montaje y afloje los otros 2 tornillos. (No los quite)

2. Mientras sostiene el kit de luces LED debajo del ensamblaje del motor del ventilador, cómo hacer las 2 pines conexiones de enchufe polarizado:

- Blanco con blanco
- Bleu con bleu

3. Coloca los orificios tipo ojo de cerradura en el kit de luces LED sobre los 2 tornillos previamente aflojados de la placa de montaje, gira la placa del luces LED hasta que caiga en su lugar en la parte estrecha de los orificios tipo ojo de cerradura. Asegúrala apretando los 2 tornillos de montaje del kit de luces previamente aflojados y el que se quitó previamente. (Fig. 16)

4. Coloque la amplificador contra el placa de montaje y girelo en sentido de las manecillas del reloj hasta que quede firme y seguro. No lo sobre apriete.




Instalación del kit de luz 8.


INSTRUCCIONES PARA USAR EL CONTROL REMOTO

Retire la cubierta posterior del transmisor e instale batería de 12 voltios que se incluyeron con el control remoto. (Fig. 17)

PROCESO DE MEMORIZACIÓN

NOTA: Después de suministrarse la corriente alterna, no presiones ningún otro botón del control remoto antes de presionar el botón de encendido/apagado del ventilador  (El apagado del ventilador). No proceder así provocará fallas en el procedimiento.

Si deseas usar otra unidad de control remoto con tu nuevo ventilador, instálala siguiendo los pasos a continuación:

Dentro de los 30 segundos siguientes al suministro de corriente alterna del ventilador, mantén presionado  el botón por 5 segundos para ingresar la función de memorización. Una vez que el receptor haya detectado la frecuencia establecida, la luz del ventilador parpadeará dos veces, si corresponde. No hay ninguna indicación si tu ventilador no está equipado con una luz.

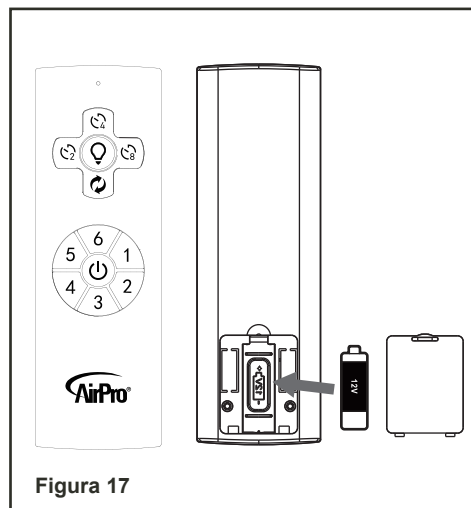


Figura 17

CÓMO INSTALAR EL SOPORTE DEL CONTROL REMOTO

Fijar el soporte del control remoto con sus dos tornillos de montaje. (Fig.18)

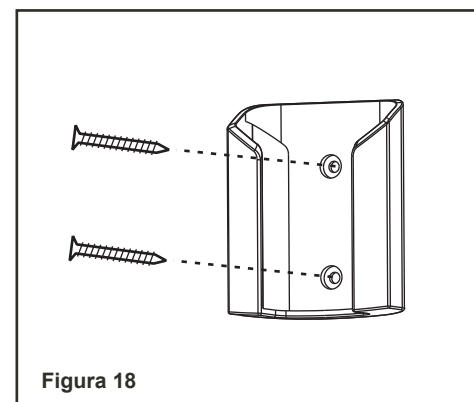


Figura 18

9. Operando su transmisor

Restore power to ceiling fan and test for proper operation.

A. 1,2,3,4,5,6 botón:


Los seis botones se utilizan para fijar la velocidad del ventilador, como se indica a continuación:

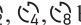
1 = velocidad mínima 2 = velocidad baja
3 = velocidad media baja 4 = velocidad media
5 = velocidad media alta 6 = velocidad alta




B.  botón:

Este botón apaga el ventilador.

C.  botón:

El boton "  " es para prender y apagar la luz, tambien se usa para controlar la intensidad de la luz. Apriete y sostenga el boton hasta obtener la intensidad de luz deseada. La luz cambiara continuamente entre intensidad y oscuridad mientras que el boton esté presionado. El boton de la luz está equipado para resumir con la misma intensidad de luz que se uso la ultima ves.

D.  botón:

Al presionar el botón (  ) el ventilador se apagará automáticamente luego de 2, 4 u 8 horas.

E.  botón:

Botón de reversa

(Tiene que presionarse cuando el ventilador esté funcionando)

Los ajustérs de velocidad para clima caliente o frío dependen de factores como el tamaño del cuarto, la altura del techo, cantidad de ventiladores, etc.

NOTA: Para activar el funcionamiento inverso de este ventilador, pulse el botón reverse (invertir) mientras está en marcha.

Clima cálido - (Hacia adelante) Un movimiento descendente de aire crea un efecto de enfriamiento como se muestra en la Figura 19. Esto permite fijar el aire acondicionado en un valor más alto sin afectar la comodidad del usuario.

Clima frío - (Retrosceso) Un flujo de aire ascendente mueve el aire caliente alejándolo del área del techo como se muestra en la Figura 20. Esto permite fijar la unidad de calefacción en un valor más bajo sin afectar la comodidad usuario.

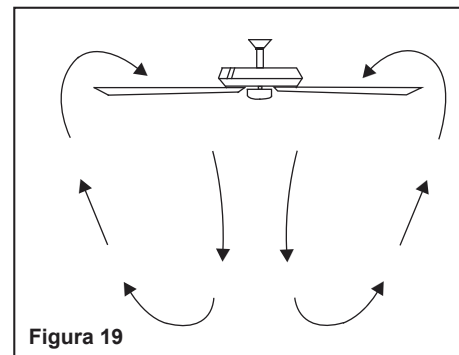


Figura 19

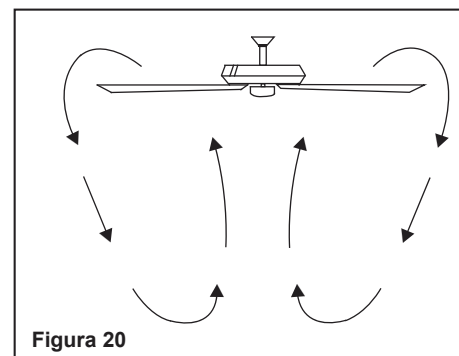


Figura 20

He aquí algunas sugerencias para ayudarle el mantenimiento del ventilador.

1. Debido al movimiento natural del ventilador, algunas conexiones se podrían aflojar. Examinar las conexiones del soporte, soportes, y accesorios de las aspas dos veces al año. Asgurarse de que estén seguros. (No es necesario retirar el ventilador del techo).

2. Limpiar el ventilador periódicamente para ayudar a mantener su apariencia de nuevo con el transcurso del tiempo. Usar solamente un cepillo suave o paño sin hilas para evitar rayar el acado. El recubrimiento metálico se sella con una laca para minimizar la decoloración o manchado. No usar agua al limpiarlo. madera, o posiblemente causar choque eléctrico.

3. Se puede aplicar una capa ligera de pulidor para muebles a las aspas de madera para brindar protección adicional y realzar su belleza. Cubrir los rayones pequeños con una ligera aplicación de betún para calzado.

4. No hay necesidad de aceitar el ventilador. El motor tiene cojinetes permanentemente lubricados.

ADVERTENCIA
ASEGURARSE DE QUE LA ELECTRICIDAD
ESTÉ DESACTIVADA EN EL TABLERO DE
DISTRIBUCIÓN ELÉCTRICA ANTES DE
INTENTAR CUALQUIER REPARACIÓN
REFERIRSE A LA SECCIÓN "CÓMO
EFECTUAR CONEXIONES ELÉCTRICAS"

11. Cómo cuidar del ventilador

Problema

Solución

El ventilador no arranca.

1. Revisar los fusibles o interruptores de circuitos.
2. Verificar las conexiones de cables de línea al ventilador y conexiones de cable del interruptor.
PRECAUCIÓN: Asegurarse de que la fuente principal de electricidad esté desactivada.

El ventilador hace mucho ruido.

1. Asegurarse de que todos los tornillos de la cubierta del motor estén ajustados.
2. Asegurarse de que los tornillos que sujetan el soporte de aspas del ventilador al eje del motor estén apretados.
3. Asegurarse de que las conexiones de tuercas para cable no estén rozando unas contra otras o contra la pared interior de la cubierta protectora del interruptor.
PRECAUCIÓN: Asegurarse de que la fuente principal de electricidad esté desactivada.
4. Permitir un período de "desgaste" de 24 horas. La mayoría de los ruidos asociados con un ventilador nuevo desaparecen durante este tiempo.
5. Si se está usando un juego opcional de iluminación para el ventilador de techo, asegurarse de que los tornillos que aseguran el vidrio estén apretados. Asimismo, verificar que la bombilla esté segura.
6. Asegurarse de que el escudete superior esté a una corta distancia del techo. No debe hacer contacto con el techo.

Fallo del mando a distancia

1. No conecte el ventilador con un control en la pared de velocidad variable (s)
2. Repasar el proceso de aprendizaje.

Resolución de problemas 12.

Tamaño del Ventilador	Velocidad	Voltios	Amperios	Vatios	RPM	CFM	N.W.	G.W.	C.F.
52" (132 cm)	Baja	120	0.08	2.54	61	2045.47	12.76 lbs	15.75 lbs	2.68'
	Alta	120	0.50	33.11	167	5802.48			

Estas son mediciones aproximadas. No incluyen los Amperios y vatios usado por el juego de iluminación.

Este equipo cumple con lo establecido en la Parte 15 de la Normativa FCC. Su funcionamiento está sujeto a las dos condiciones siguientes: (1) Este equipo no causará interferencias perjudiciales y (2) este equipo tolerará cualquier interferencia recibida, incluidas las interferencias que puedan provocar un funcionamiento no deseado.

Advertencia: los cambios o modificaciones en esta unidad no aprobados expresamente por la parte responsable del cumplimiento podrían anular la autoridad del usuario para utilizar el equipo.

NOTA: este equipo ha sido probado y cumple con los límites establecidos para dispositivos digitales de clase B, según el apartado 15 de las Normas de la FCC. Dichos límites han sido definidos para proporcionar una protección razonable frente a interferencias perjudiciales en una instalación residencial. Este equipo genera, utiliza y puede desprender energía de radiofrecuencia y, si no se instala y se utiliza según las instrucciones, puede causar interferencias dañinas a la radiocomunicación.

Sin embargo, no es posible garantizar que el equipo no provoque interferencias en una instalación particular. Si este equipo provoca interferencias perjudiciales a la recepción de radio o televisión, lo que puede determinarse encendiéndolo y apagándolo, es recomendable intentar corregir dichas interferencias mediante una o varias de las siguientes medidas:

- Vuelva a orientar o cambie de lugar la antena receptora.
- Aumente la separación entre el equipo y el receptor.
- Conecte el equipo en una toma de corriente en un circuito diferente al que el receptor está conectado.
- Consulte con el distribuidor o con un técnico especialista en radio/televisión para más ayuda.

13. Especificaciones

©2020 Progress Lighting, Inc.
701 Millennium Blvd.,
Greenville, SC 29607
All Rights Reserved